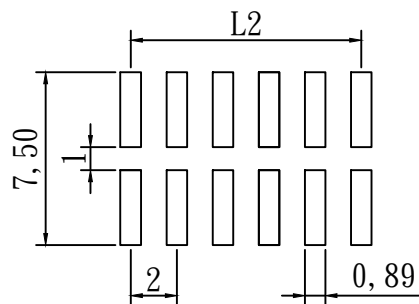
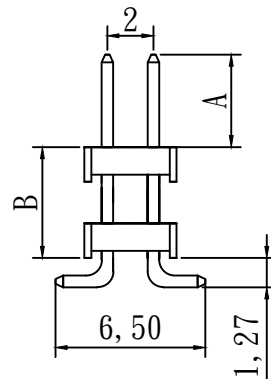
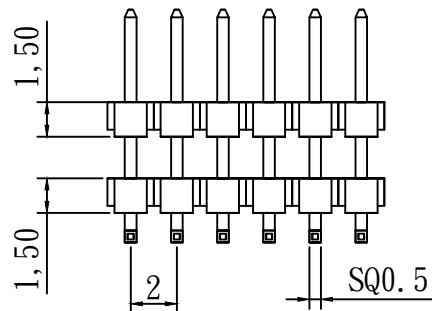


$L1 = 2.0 * (\text{No. of pin} / 2)$   
 $L2 = 2.0 * (\text{No. of pin} / 2 - 1)$



RECOMMENDED P.C.B. LAYOUT

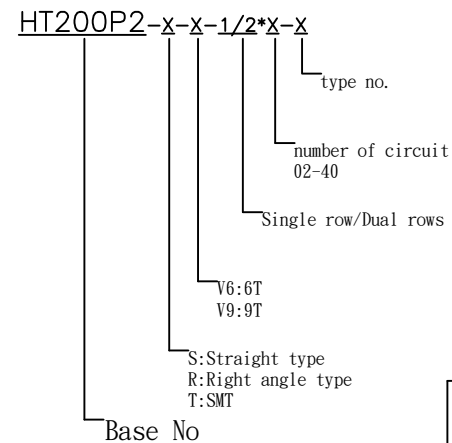
specifications

current rating: 2amp  
 voltage rating: 200V ac max  
 insulator resistance: 3000 M ohms min.  
 contact resistance: 20 m ohms max.  
 dielectric withstanding: 500v ac for one minute  
 operating temperature: -40°C -- +105°C (ny6t/ny9t)  
 max. processing temp: 245±5°C for 3-5 seconds (ny6t/ny9t)

contact material: brass  
 insulator material: nylon6t nylon9t  
 color: black  
 finish: gold flash

packing: bag/tube

HOW TO ORDER



HTE TECHNOLOGY CO., LTD  
HTE 興田科技有限公司

CUSTOMER APPROVAL

P/N

HT200P2TX-2\*X-H1.5

UNIT

mm

SIZE

A4

TITLE

2.00mm pin header  
dual rows SMT type H:1.5\*2

GENERAL TOLERANCE  
 0.=±0.30  
 0.0=±0.20  
 0.00=±0.15

SCALE

3:1

SHEET

1/1

REV.

DESCRIPTION

DATE

DRAWN

LILY

CHECKED

SANDY