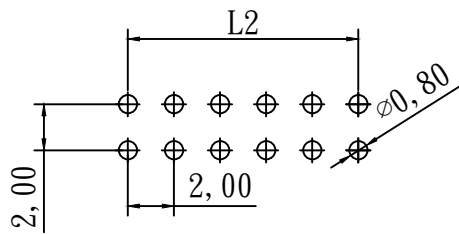
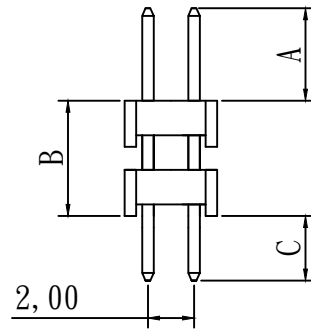
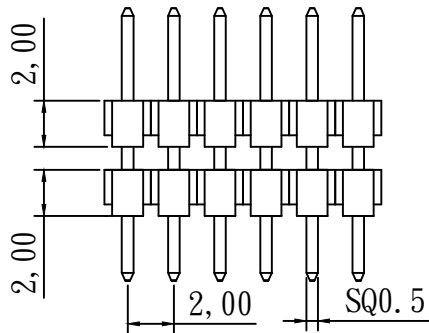


$$L1 = 2.0 * (\text{No. of pin} / 2)$$

$$L2 = 2.0 * (\text{No. of pin} / 2 - 1)$$



RECOMMENDED P.C.B. LAYOUT

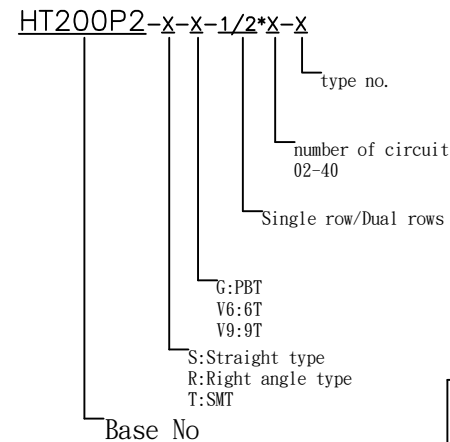
### specifications

current rating: 2amp  
 voltage rating: 200V ac max  
 insulator resistance: 3000 M ohms min.  
 contact resistance: 20 m ohms max.  
 dielectric withstanding: 500v ac for one minute  
 operating temperature: -25°C -- +85°C (pbt)  
 -40°C -- +105°C (ny6t/ny9t)  
 max. processing temp: 245±5°C for 3-5 seconds (ny6t/ny9t)

contact material: brass  
 insulator material: pbt nylon6t nylon9t  
 color: black  
 finish: gold flash

packing: bag

### HOW TO ORDER



HTE TECHNOLOGY CO., LTD  
 HTE 興田科技有限公司

7	CUSTOMER APPROVAL				P/N	HT200P2SX-2*X			UNIT	mm	SIZE	A4
					TITLE	2.00mm pin header dual rows.straight type			GENERAL TOLERANCE		SCALE	3:1
	REV.	DESCRIPTION	DATE	DRAWN	LILY	CHECKED	SANDY	0.=±0.30 0.0=±0.20 0.00=±0.15		SHEET	1/1	