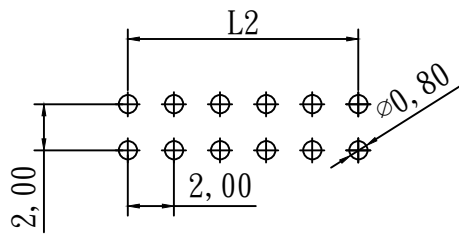
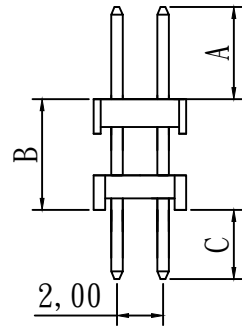
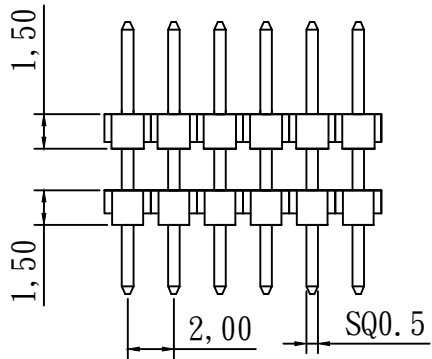


$L1 = 2.0 * (\text{No. of pin} / 2)$
 $L2 = 2.0 * (\text{No. of pin} / 2 - 1)$



RECOMMENDED P.C.B. LAYOUT

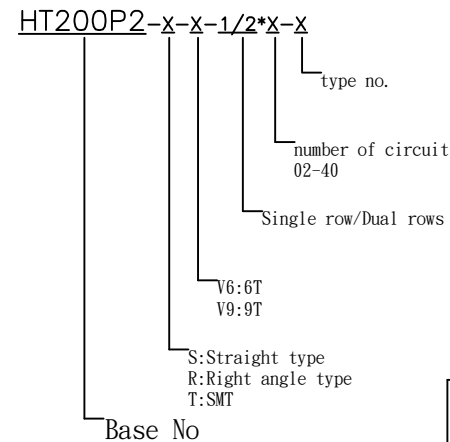
specifications

current rating: 2amp
 voltage rating: 200V ac max
 insulator resistance: 3000 M ohms min.
 contact resistance: 20 m ohms max.
 dielectric withstanding: 500v ac for one minute
 operating temperature: -40°C -- +105°C (ny6t/ny9t)
 max. processing temp: 245±5°C for 3-5 seconds (ny6t/ny9t)

contact material: brass
 insulator material: nylon6t nylon9t
 color: black
 finish: gold flash

packing: bag

HOW TO ORDER



HTE TECHNOLOGY CO., LTD
HTE 興田科技有限公司

CUSTOMER APPROVAL					P/N	HT200P2SX-2*X-H1.5			UNIT	mm	SIZE	A4
					TITLE	2.00mm pin header dual rows straight type H:1.5*2			GENERAL TOLERANCE 0.=±0.30 0.0=±0.20 0.00=±0.15		SCALE	3:1
		REV.	DESCRIPTION	DATE	DRAWN	LILY	CHECKED	SANDY			SHEET	1/1