

RECOMMENDED P.C.B. LAYOUT

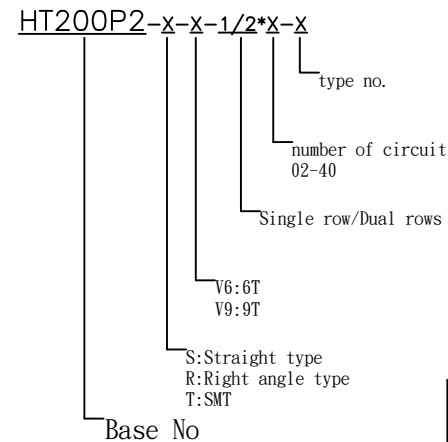
specifications

current rating: 2amp
 voltage rating: 200V ac max
 insulator resistance: 3000 M ohms min.
 contact resistance: 20 m ohms max.
 dielectric withstanding: 500v ac for one minute
 operating temperature: -40°C -- $+105^{\circ}\text{C}$ (ny6t/ny9t)
 max. processing temp: $245 \pm 5^{\circ}\text{C}$ for 3-5 seconds (ny6t/ny9t)

contact material: brass
 insulator material: nylon6t nylon9t
 color: black
 finish: gold flash

packing: bag

HOW TO ORDER



HTE TECHNOLOGY CO., LTD
HTE 興田科技有限公司

CUSTOMER APPROVAL

P/N

HT200P2SX-1*X-H1.5

UNIT

mm

SIZE

A4

TITLE

2.00mm pin header
single row straight type H:1.5*2

GENERAL TOLERANCE

0.= ± 0.30

0.0= ± 0.20

0.00= ± 0.15

SCALE

3:1

SHEET

1/1

REV.

DESCRIPTION

DATE

DRAWN

LILY

CHECKED

SANDY