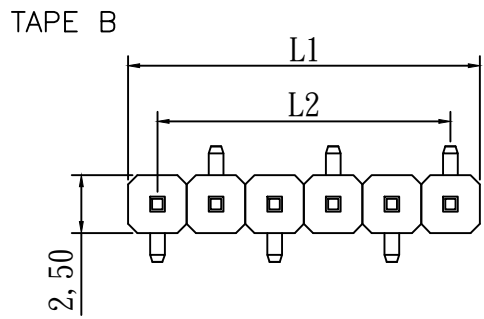


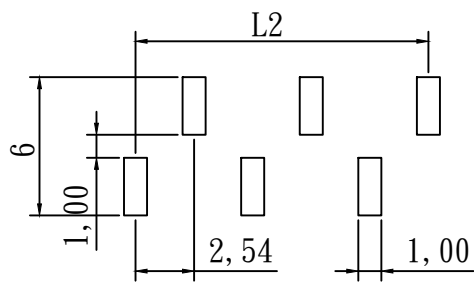
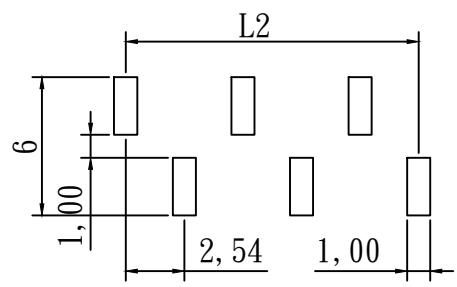
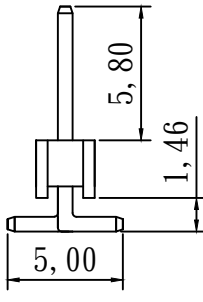
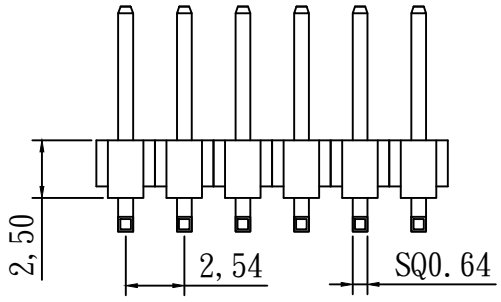
$$L1 = 2.54 * (\text{No. of pin})$$

$$L2 = 2.54 * (\text{No. of pin} - 1)$$



$$L1 = 2.54 * (\text{No. of pin})$$

$$L2 = 2.54 * (\text{No. of pin} - 1)$$



RECOMMENDED P.C.B. LAYOUT(TYPE A)

RECOMMENDED P.C.B. LAYOUT(TYPE B)

specifications

current rating:3amp
 voltage rating:250V ac max
 insulator resistance:5000 M ohms min.
 contact resistance:20 m ohms max.
 dielectric withstanding:500v ac for one minute
 operating temperature:-25°C--+85°C(pbt)
 -40°C--+105°C(ny6t/ny9t)
 max.processing temp:245±5°C for 3-5seconds(ny6t/ny9t)

contact material:brass
 insulator material:pbt nylon6t nylon9t
 color:black
 finish:gold flash

packing:bag

HOW TO ORDER

HT254P-x-x-1/2*x-x

Base No

type no.

number of circuit
02-40

Single row/Dual rows

G:PBT
 V6:6T
 V9:9T

S: Straight type
 R: Right angle type
 T: SMT

HTE TECHNOLOGY CO.,LTD
 HTE 興田科技有限公司

7	CUSTOMER APPROVAL				P/N	HT254PTX-1*X			UNIT	mm	SIZE	A4
					TITLE	2.54mm pin header single row SMT type			GENERAL TOLERANCE 0.=±0.30 0.0=±0.20 0.00=±0.15		SCALE	3:1
	REV.	DESCRIPTION	DATE	DRAWN	LILY	CHECKED	SANDY	SHEET			1/1	