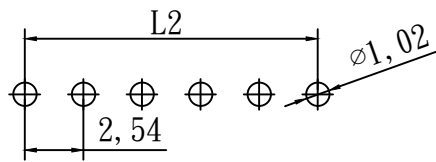
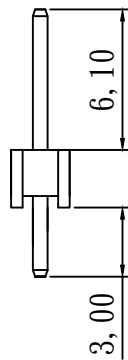
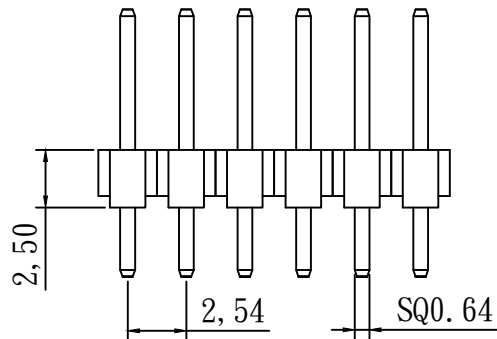


$L1 = 2.54 * (\text{No. of pin})$
 $L2 = 2.54 * (\text{No. of pin} - 1)$



RECOMMENDED P.C.B. LAYOUT

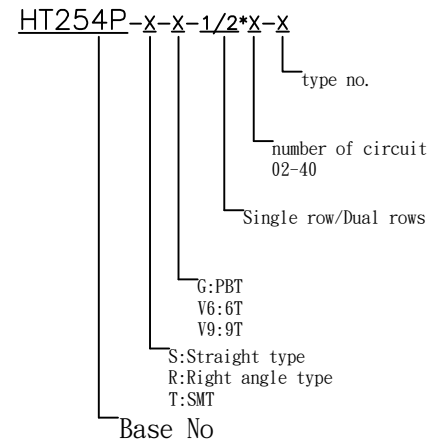
specifications

current rating: 3amp
 voltage rating: 250V ac max
 insulator resistance: 5000 M ohms min.
 contact resistance: 20 m ohms max.
 dielectric withstanding: 500v ac for one minute
 operating temperature: -25°C --- $+85^{\circ}\text{C}$ (pbt)
 -40°C --- $+105^{\circ}\text{C}$ (ny6t/ny9t)
 max. processing temp: $245 \pm 5^{\circ}\text{C}$ for 3-5 seconds (ny6t/ny9t)

contact material: brass
 insulator material: pbt nylon6t nylon9t
 color: black
 finish: gold flash

packing: bag

HOW TO ORDER



HTE TECHNOLOGY CO., LTD
HTE 興田科技有限公司

| | | | | | | | | | | | | | |
|-------------------|--|--|--|------|-------------|-------|---|------|---------|-------------------|-------|-------|-----|
| CUSTOMER APPROVAL | | | | | | P/N | HT254PSX-1*X | | | UNIT | mm | SIZE | A4 |
| | | | | | | TITLE | 2.54mm pin header single row straight type | | | GENERAL TOLERANCE | | SCALE | 3:1 |
| | | | | REV. | DESCRIPTION | DATE | DRAWN | LILY | CHECKED | SANDY | SHEET | | 1/1 |