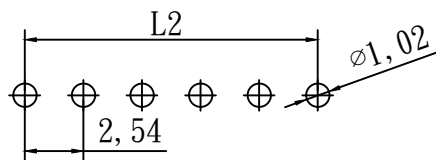
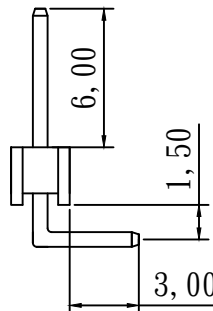
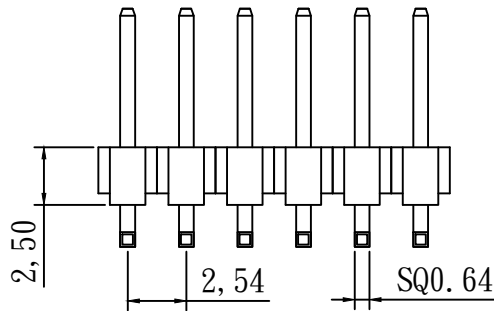


$L1 = 2.54 * (\text{No. of pin})$
 $L2 = 2.54 * (\text{No. of pin} - 1)$



RECOMMENDED P.C.B. LAYOUT

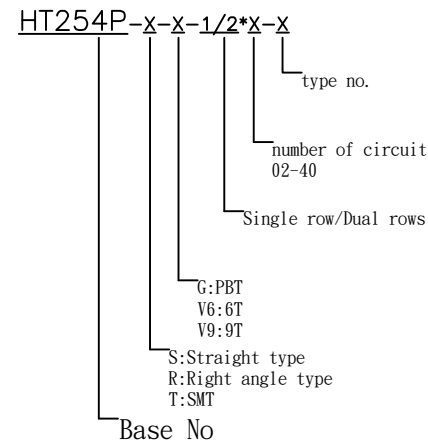
specifications

current rating: 3amp
 voltage rating: 250V ac max
 insulator resistance: 5000 M ohms min.
 contact resistance: 20 m ohms max.
 dielectric withstanding: 500v ac for one minute
 operating temperature: -25°C --- +85°C (pbt)
 -40°C --- +105°C (ny6t/ny9t)
 max. processing temp: 245±5°C for 3-5 seconds (ny6t/ny9t)

contact material: brass
 insulator material: pbt nylon6t nylon9t
 color: black
 finish: gold flash

packing: bag

HOW TO ORDER



HTE TECHNOLOGY CO., LTD
HTE 興田科技有限公司

CUSTOMER APPROVAL						P/N	HT254PRX-1*X			UNIT	mm	SIZE	A4
						TITLE	2.54mm pin header single row right angle type			GENERAL TOLERANCE		SCALE	3:1
				REV.	DESCRIPTION	DATE	DRAWN	LILY	CHECKED	SANDY	SHEET		1/1