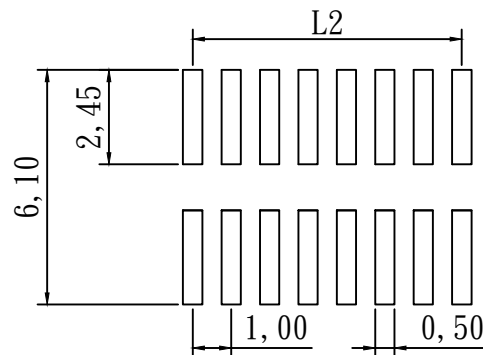
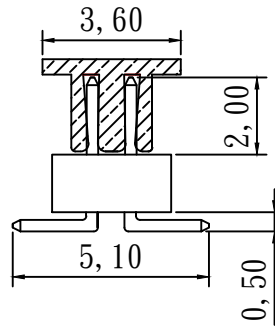
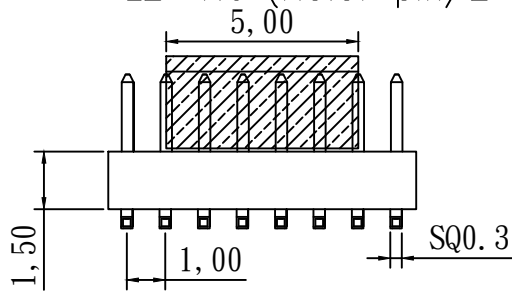


$$L1 = 1.0 * (\text{No. of pin} / 2)$$

$$L2 = 1.0 * (\text{No. of pin} / 2 - 1)$$



RECOMMENDED P. C. B. LAYOUT

### specifications

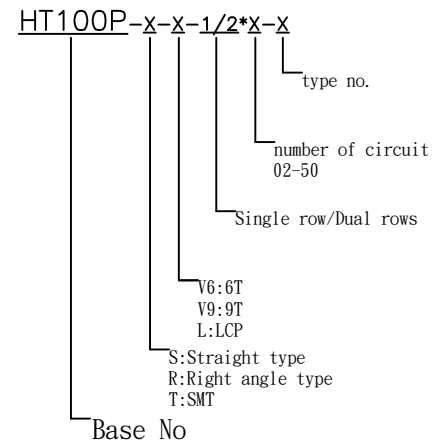
current & voltage rating : 0.5A & 12Vac max  
 insulator resistance : 1000MΩ min.  
 contact resistance : 20 mΩ max.  
 dielectric withstanding : ac 200v  
 operating temperature : -40°C ~ +105°C  
 max. processing temp : 245 ± 5°C for 3-5 seconds

contact material : brass  
 insulator material : nylon6T, nylon9T, lcp  
 finish : gold flash

packing : bag / tube / reel

PIN	L1	L2	PIN	L1	L2
			2*26	26	25
2*2	2	1	2*27	27	26
2*3	3	2	2*28	28	27
2*4	4	3	2*29	29	28
2*5	5	4	2*30	30	29
2*6	6	5	2*31	31	30
2*7	7	6	2*32	32	31
2*8	8	7	2*33	33	32
2*9	9	8	2*34	34	33
2*10	10	9	2*35	35	34
2*11	11	10	2*36	36	35
2*12	12	11	2*37	37	36
2*13	13	12	2*38	38	37
2*14	14	13	2*39	39	38
2*15	15	14	2*40	40	39
2*16	16	15	2*41	41	40
2*17	17	16	2*42	42	41
2*18	18	17	2*43	43	42
2*19	19	18	2*44	44	43
2*20	20	19	2*45	45	44
2*21	21	20	2*46	46	45
2*22	22	21	2*47	47	46
2*23	23	22	2*48	48	47
2*24	24	23	2*49	49	48
2*25	25	24	2*50	50	49

### HOW TO ORDER



HTE TECHNOLOGY CO., LTD  
**HTE** 興田科技有限公司

CUSTOMER APPROVAL

P/N

HT100PTX-2\*X-C

UNIT

mm

SIZE

A4

TITLE

1.0mm pin header  
 dual rows SMT type

GENERAL TOLERANCE  
 0.=±0.30  
 0.0=±0.20  
 0.00=±0.15

SCALE

5:1

SHEET

1/1

REV.

DESCRIPTION

DATE

DRAWN

LILY

CHECKED

SANDY