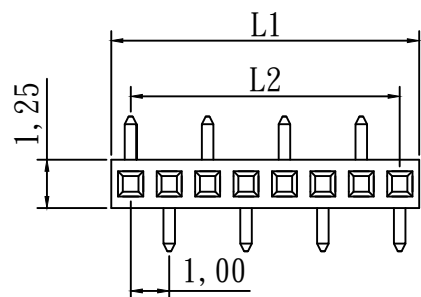
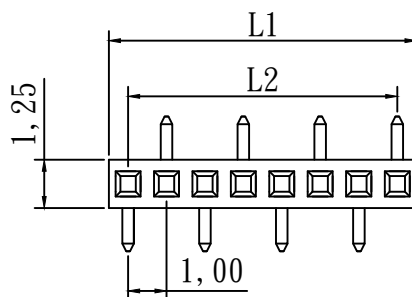


TAPE A

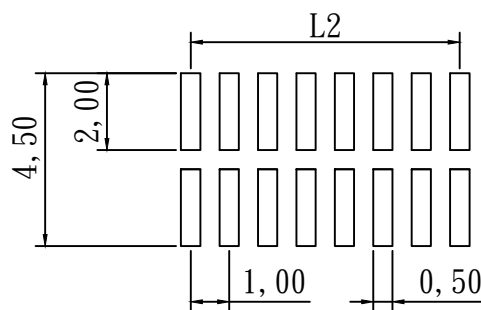
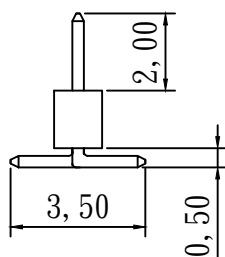
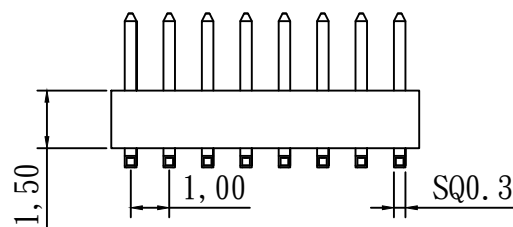
TAPE B



$L1 = 1.0 * (\text{No. of pin})$   
 $L2 = 1.0 * (\text{No. of pin} - 1)$



$L1 = 1.0 * (\text{No. of pin})$   
 $L2 = 1.0 * (\text{No. of pin} - 1)$



RECOMMENDED P. C. B. LAYOUT

specifications

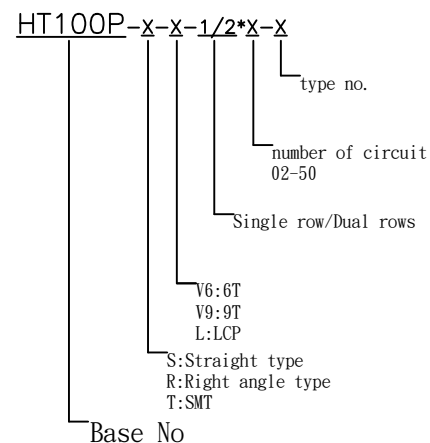
current&voltage rating :0.5A&12Vac max  
 insulator resistance:1000MΩ min.  
 contact resistance:20 mΩ max.  
 dielectric withstanding:ac 200v  
 ioperating temperature:-40°c--+105°c  
 max.processing temp:245±5°cfor3-5seconds

contact material:brass  
 insulator material:nylon6T.nylon9T.lcp  
 finish:gold flash

packing:bag/tube/reel

PIN	L1	L2	PIN	L1	L2
			1*26	26	25
1*2	2	1	1*27	27	26
1*3	3	2	1*28	28	27
1*4	4	3	1*29	29	28
1*5	5	4	1*30	30	29
1*6	6	5	1*31	31	30
1*7	7	6	1*32	32	31
1*8	8	7	1*33	33	32
1*9	9	8	1*34	34	33
1*10	10	9	1*35	35	34
1*11	11	10	1*36	36	35
1*12	12	11	1*37	37	36
1*13	13	12	1*38	38	37
1*14	14	13	1*39	39	38
1*15	15	14	1*40	40	39
1*16	16	15	1*41	41	40
1*17	17	16	1*42	42	41
1*18	18	17	1*43	43	42
1*19	19	18	1*44	44	43
1*20	20	19	1*45	45	44
1*21	21	20	1*46	46	45
1*22	22	21	1*47	47	46
1*23	23	22	1*48	48	47
1*24	24	23	1*49	49	48
1*25	25	24	1*50	50	49

HOW TO ORDER



HTE TECHNOLOGY CO.,LTD  
**HTE** 興田科技有限公司

CUSTOMER APPROVAL

P/N

HT100PTX-1\*X

UNIT

mm

SIZE

A4

TITLE

1.0mm pin header  
 single row SMT type

GENERAL TOLERANCE  
 0.=±0.30  
 0.0=±0.20  
 0.00=±0.15

SCALE

5:1

SHEET

1/1

REV.

DESCRIPTION

DATE

DRAWN

LILY

CHECKED

SANDY