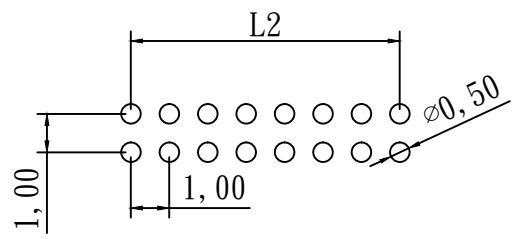
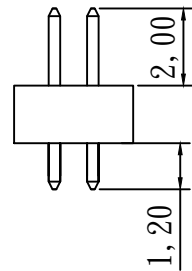
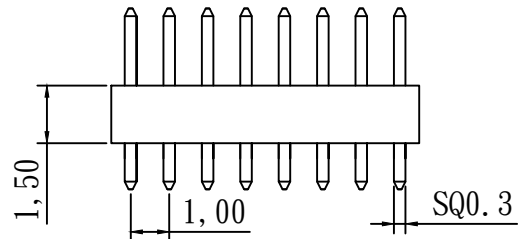


$L1 = 1.0 * (\text{No. of pin} / 2)$
 $L2 = 1.0 * (\text{No. of pin} / 2 - 1)$



RECOMMENDED P. C. B. LAYOUT

specifications

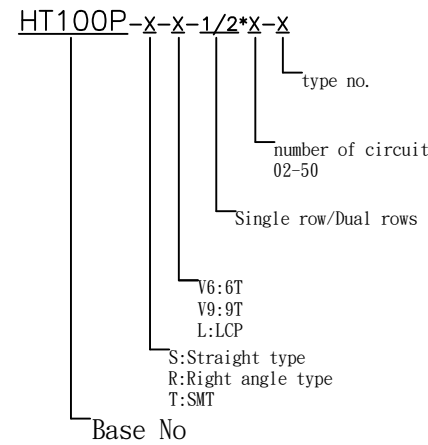
current&voltage rating :0.5A&12Vac max
 insulator resistance:1000MΩ min.
 contact resistance:20 mΩ max.
 dielectric withstanding:ac 200v
 ioperating temperature:-40°c--+105°c
 max.processing temp:245±5°cfor3-5seconds

contact material:brass
 insulator material:nylon6T.nylon9T.lcp
 finish:gold flash

packing:bag/tube

PIN	L1	L2	PIN	L1	L2
			2*26	26	25
2*2	2	1	2*27	27	26
2*3	3	2	2*28	28	27
2*4	4	3	2*29	29	28
2*5	5	4	2*30	30	29
2*6	6	5	2*31	31	30
2*7	7	6	2*32	32	31
2*8	8	7	2*33	33	32
2*9	9	8	2*34	34	33
2*10	10	9	2*35	35	34
2*11	11	10	2*36	36	35
2*12	12	11	2*37	37	36
2*13	13	12	2*38	38	37
2*14	14	13	2*39	39	38
2*15	15	14	2*40	40	39
2*16	16	15	2*41	41	40
2*17	17	16	2*42	42	41
2*18	18	17	2*43	43	42
2*19	19	18	2*44	44	43
2*20	20	19	2*45	45	44
2*21	21	20	2*46	46	45
2*22	22	21	2*47	47	46
2*23	23	22	2*48	48	47
2*24	24	23	2*49	49	48
2*25	25	24	2*50	50	49

HOW TO ORDER



HTE TECHNOLOGY CO.,LTD
HTE 興田科技有限公司

CUSTOMER APPROVAL						P/N	HT100PSX-2*X			UNIT	mm	SIZE	A4
						TITLE	1.0mm pin header dual rows stright type			GENERAL TOLERANCE		SCALE	5:1
				REV.	DESCRIPTION	DATE	DRAWN	LILY	CHECKED	SANDY	SHEET		1/1