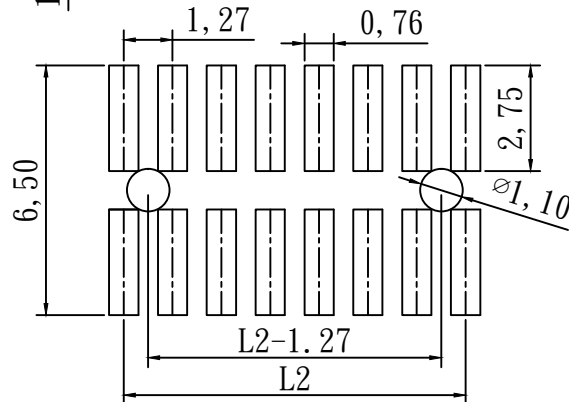
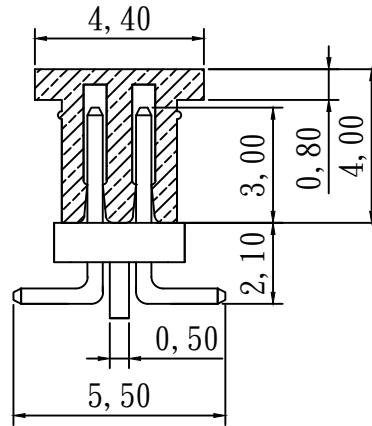
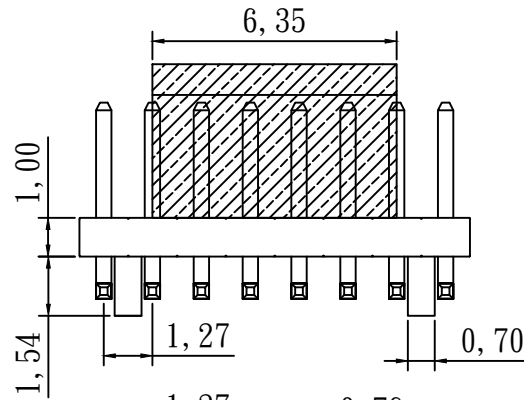


$$L1 = 1.27 * (\text{No. of pin} / 2)$$

$$L2 = 1.27 * (\text{No. of pin} / 2 - 1)$$



RECOMMENDED P. C. B. LAYOUT

specifications

current & voltage rating : 1A & 12Vac max
 insulator resistance : 1000MΩ min.
 contact resistance : 20 mΩ max.
 dielectric withstanding : ac 500v
 operating temperature : -40°C -- +105°C
 max. processing temp : 245 ± 5°C for 3-5 seconds

contact material : phosphor bronze
 insulator material : nylon6T, nylon9T, lcp
 finish : gold flash

packing : bag / tube / reel

HOW TO ORDER

HT127P-x-x-1/2*x-x

- Base No
- S: Straight type
- R: Right angle type
- T: SMT
- L: LCP
- V9: 9T
- V6: 6T
- Single row / Dual rows
- number of circuit 02-50
- type no.

HTE TECHNOLOGY CO., LTD
HTE 興田科技有限公司

CUSTOMER APPROVAL

P/N

HT127PTX-2*X-I-C

UNIT

mm

SIZE

A4

TITLE

1.27mm pin header
 dual rows smt type

GENERAL TOLERANCE
 0.= ±0.30
 0.0= ±0.20
 0.00= ±0.15

SCALE

5:1

REV.

DESCRIPTION

DATE

DRAWN

LILY

CHECKED

SANDY

SHEET

1/1