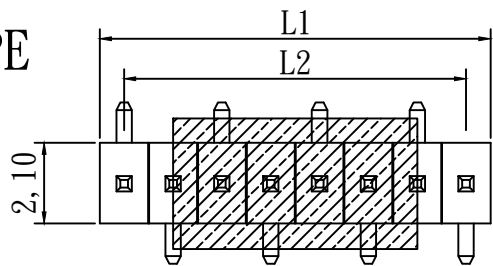
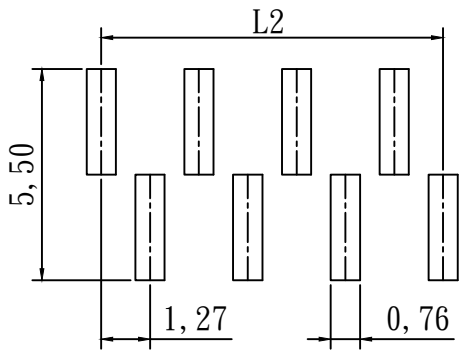
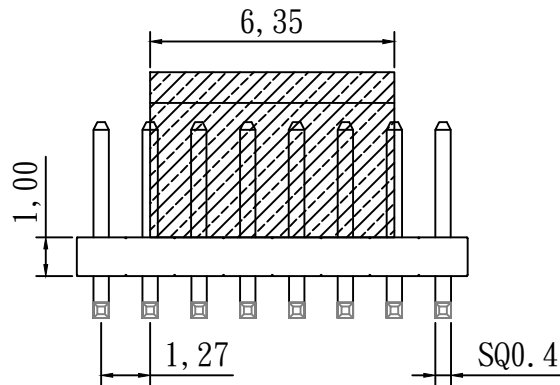


TAPE
A

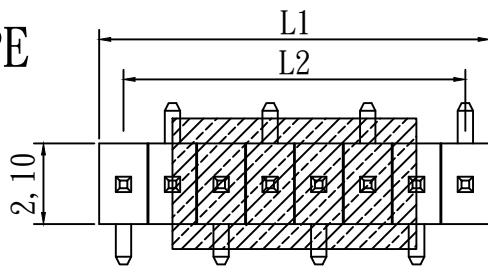


$L1 = 1.27 * (\text{No. of pin})$
 $L2 = 1.27 * (\text{No. of pin} - 1)$

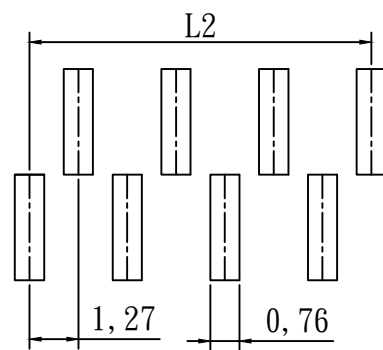
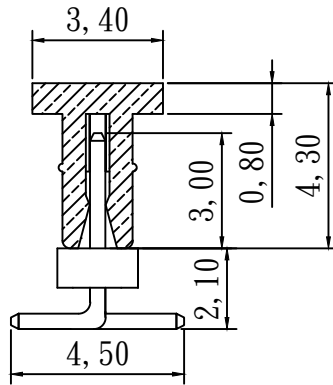


RECOMMENDED P. C. B. LAYOUT (TA)

TAPE
B



$L1 = 1.27 * (\text{No. of pin})$
 $L2 = 1.27 * (\text{No. of pin} - 1)$



RECOMMENDED P. C. B. LAYOUT (TB)

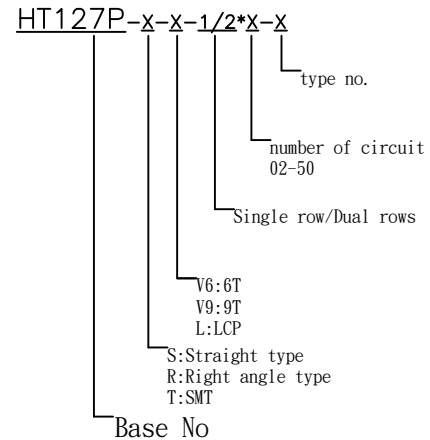
specifications

current&voltage rating :1A&12Vac max
 insulator resistance:1000MΩ min.
 contact resistance:20 mΩ max.
 dielectric withstanding:ac 500v
 ioperating temperature:-40°c--+105°c
 max.processing temp:245±5°cfor3-5seconds

contact material:phosphor bronze
 insulator material:nylon6T.nylon9T.lcp
 finish:gold flash

packing:bag/tube/reel

HOW TO ORDER



HTE TECHNOLOGY CO.,LTD
HTE 興田科技有限公司

CUSTOMER APPROVAL

P/N

HT127PTX-1*x-C

UNIT

mm

SIZE

A4

TITLE

1.27mm pin header
 single row smt type

GENERAL TOLERANCE
 0.=±0.30
 0.0=±0.20
 0.00=±0.15

SCALE

5:1

REV.

DESCRIPTION

DATE

DRAWN

LILY

CHECKED

SANDY

SHEET

1/1