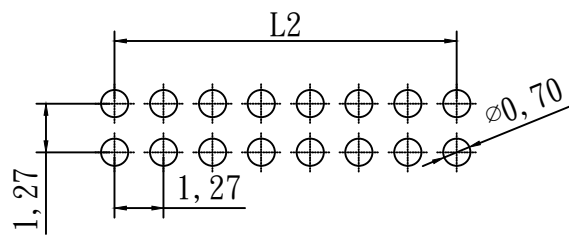
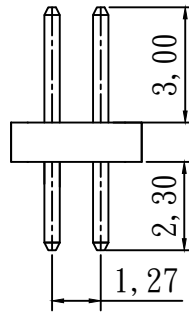
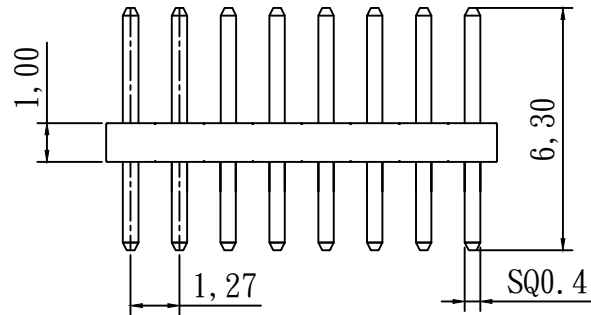


$L1 = 1.27 * (\text{No. of pin} / 2)$
 $L2 = 1.27 * (\text{No. of pin} / 2 - 1)$



RECOMMENDED P. C. B. LAYOUT

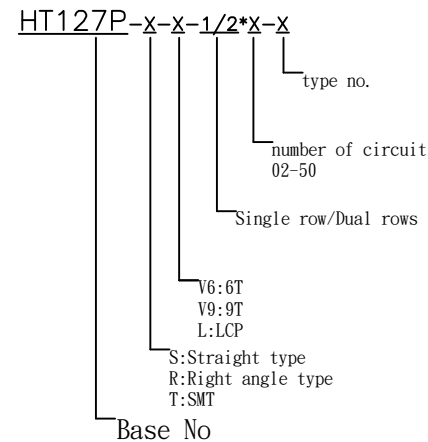
specifications

current&voltage rating :1A&12Vac max
 insulator resistance:1000MΩ min.
 contact resistance:20 mΩ max.
 dielectric withstanding:ac 500v
 ioperating temperature:-40°C--+105°C
 max.processing temp:245±5°Cfor3-5seconds

contact material:phosphor bronze
 insulator material:nylon6T.nylon9T.lcp
 finish:gold flash

packing:bag

HOW TO ORDER



HTE TECHNOLOGY CO.,LTD
HTE 興田科技有限公司

CUSTOMER APPROVAL					P/N	HT127PSX-2*X			UNIT	mm	SIZE	A4
					TITLE	1.27mm pin header dual rows straight type			GENERAL TOLERANCE		SCALE	5:1
			REV.	DESCRIPTION	DATE	DRAWN	LILY	CHECKED	SANDY	SHEET		1/1