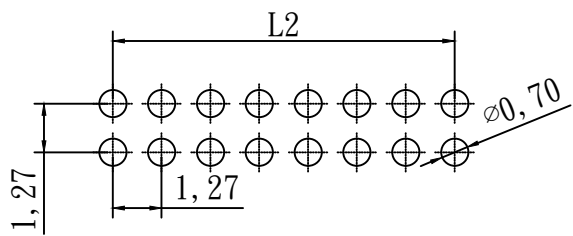
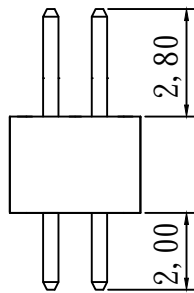
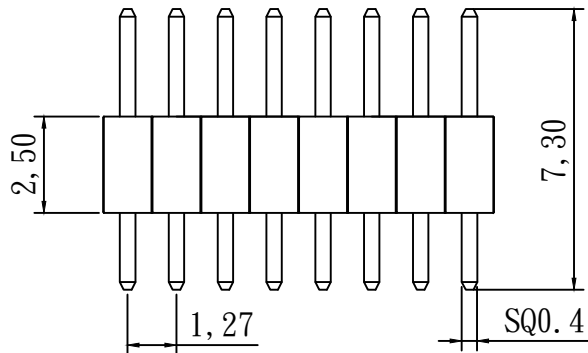


$L1 = 1.27 * (\text{No. of pin} / 2)$
 $L2 = 1.27 * (\text{No. of pin} / 2 - 1)$



RECOMMENDED P. C. B. LAYOUT

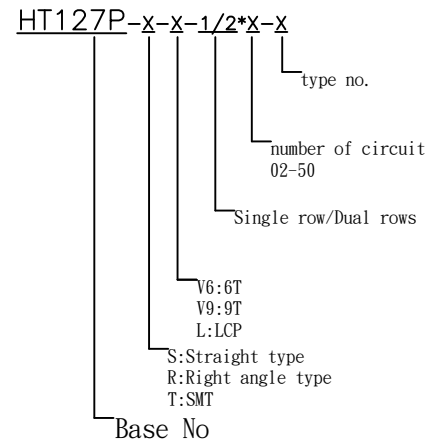
specifications

current & voltage rating : 1A & 12Vac max
 insulator resistance : 1000MΩ min.
 contact resistance : 20 mΩ max.
 dielectric withstanding : ac 500v
 operating temperature : -40°C -- +105°C
 max. processing temp : 245 ± 5°C for 3-5 seconds

contact material : phosphor bronze
 insulator material : nylon6T, nylon9T, lcp
 finish : gold flash

packing : bag

HOW TO ORDER



HTE TECHNOLOGY CO., LTD
HTE 興田科技有限公司

CUSTOMER APPROVAL					P/N	HT127PSX-2*X-2.5			UNIT	mm	SIZE	A4
					TITLE	1.27mm pin header dual rows straight type			GENERAL TOLERANCE		SCALE	5:1
			REV.	DESCRIPTION	DATE	DRAWN	LILY	CHECKED	SANDY	SHEET		1/1