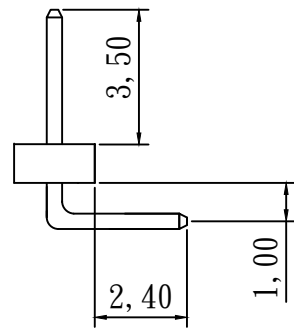
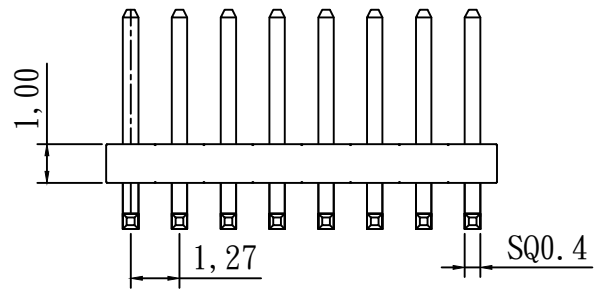
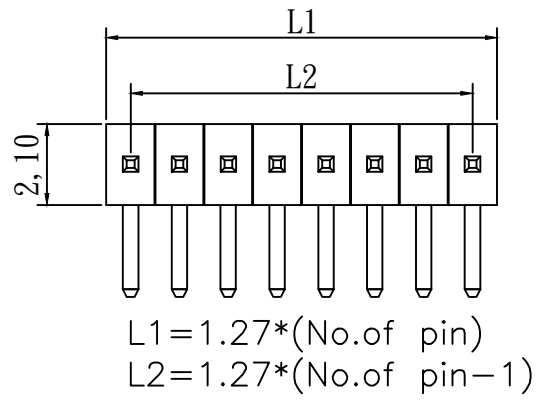


specifications

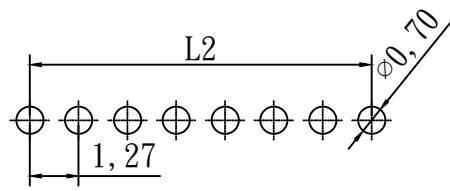
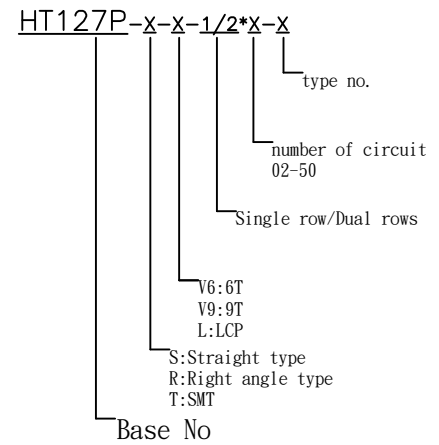
current&voltage rating :1A&12Vac max
 insulator resistance:1000MΩ min.
 contact resistance:20 mΩ max.
 dielectric withstanding:ac 500v
 ioperating temperature:-40°C--+105°C
 max.processing temp:245±5°Cfor3-5seconds

contact material:phosphor bronze
 insulator material:nylon6T.nylon9T.lcp
 finish:gold flash

packing:bag



HOW TO ORDER



RECOMMENDED P. C. B. LAYOUT

HTE TECHNOLOGY CO.,LTD
HTE 興田科技有限公司

CUSTOMER APPROVAL

P/N

HT127PRX-1*x

UNIT

mm

SIZE

A4

TITLE

1.27mm pin header
single row right angle type

GENERAL TOLERANCE
0.=±0.30
0.0=±0.20
0.00=±0.15

SCALE

5:1

REV.

DESCRIPTION

DATE

DRAWN

LILY

CHECKED

SANDY

SHEET

1/1