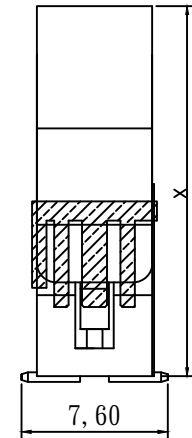
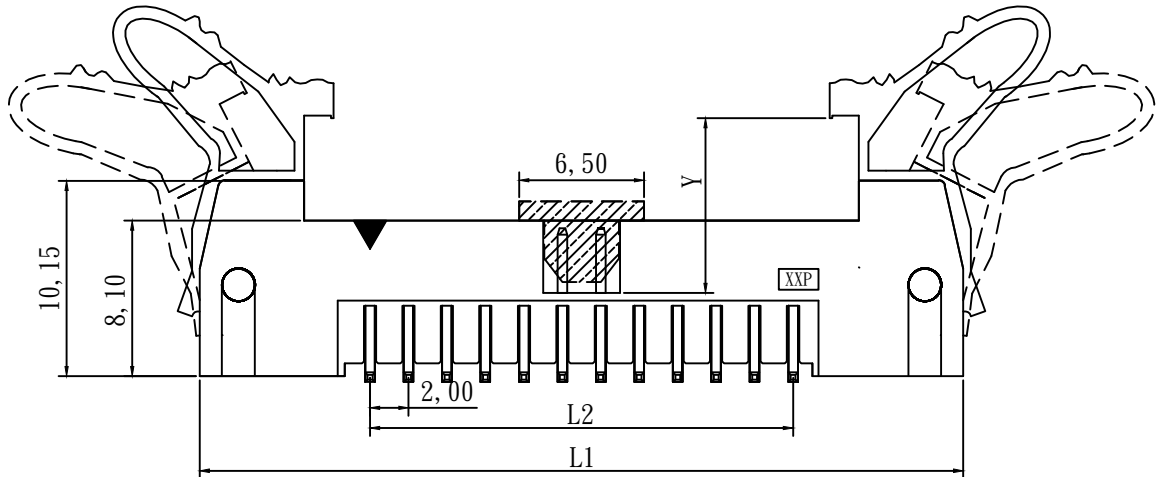
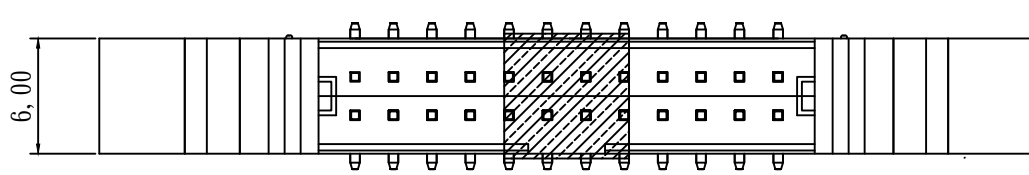
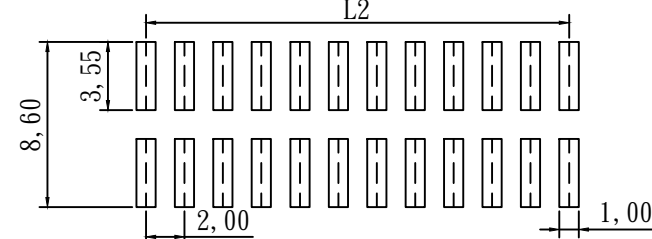


A B C D E F G H I J K L



$L1 = 2.0 * (\text{No. of pin} / 2) + 15.7$
 $L2 = 2.0 * (\text{No. of pin} / 2 - 1)$



RECOMMENDED P.C.B. LAYOUT

specifications

current rating:2amp
 voltage rating:200V ac max
 insulator resistance:3000 M ohms min.
 contact resistance:20 m ohms max.
 dielectric withstanding:500v ac for one minute
 operating temperature:-40°C--+105°C(ny6t/ny9t)
 max.processing temp:245±5°C for 3-5seconds(ny6t/ny9t)

contact material:brass
 insulator material:nylon6t nylon9t
 color:black
 finish:gold flash

packing:bag/tray/reel

HOW TO ORDER

HT200L-x-x-x-2*x-x
 Base No | S: Straight type | R: Right angle type | T: SMT | V6: 6T | V9: 9T | L0: long latch (Dim. X: 20.73 Dim. Y: 12.95) | SH: Short Latch (Dim. X: 16.88 Dim. Y: 9.1) | Dual rows | number of circuit 02-40 | type no.

HTE TECHNOLOGY CO.,LTD
HTE 興田科技有限公司

CUSTOMER APPROVAL				P/N	HT200LTX-2*X-C			UNIT	mm	SIZE	A4
				TITLE	2.00mm latch header SMT type			GENERAL TOLERANCE		SCALE	3:1
REV.	DESCRIPTION	DATE	DRAWN	LILY	CHECKED	SANDY	0. = ±0.30 0.0 = ±0.20 0.00 = ±0.15		SHEET	1/1	

A B C D E F G H I J K L