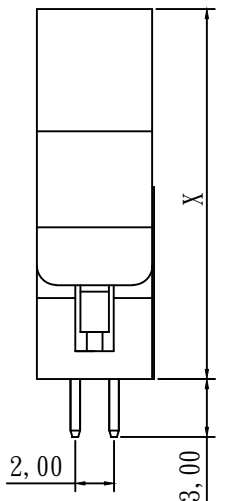
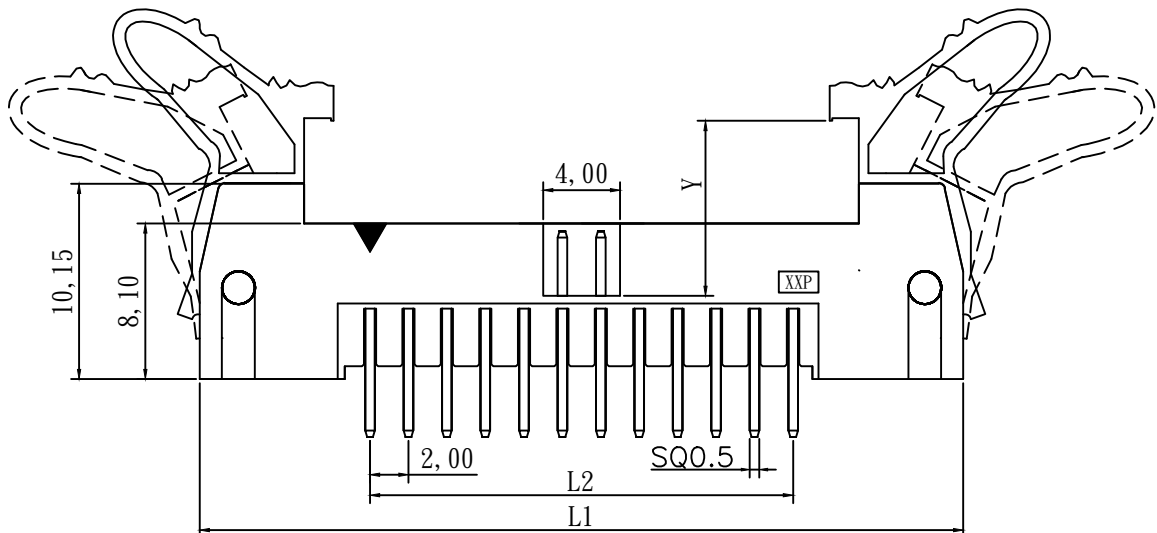
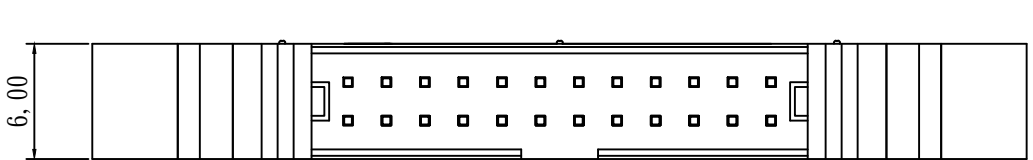
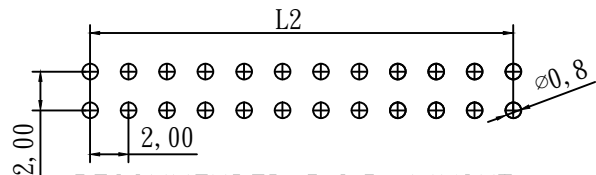


A B C D E F G H I J K L



$L1 = 2.0 * (\text{No. of pin} / 2) + 15.7$   
 $L2 = 2.0 * (\text{No. of pin} / 2 - 1)$



RECOMMENDED P.C.B. LAYOUT

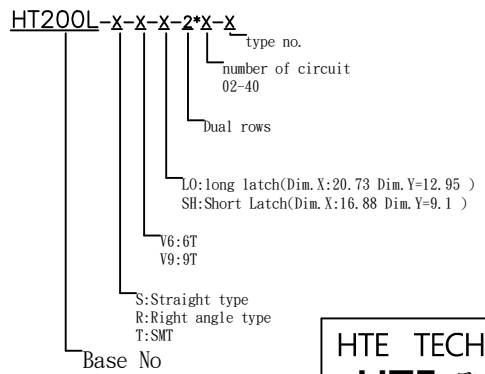
specifications

current rating:2amp  
 voltage rating:200V ac max  
 insulator resistance:3000 M ohms min.  
 contact resistance:20 m ohms max.  
 dielectric withstanding:500v ac for one minute  
 operating temperature:-40°c--+105°c(ny6t/ny9t)  
 max.processing temp:245±5°c for 3-5seconds(ny6t/ny9t)

contact material:brass  
 insulator material:nylon6t nylon9t  
 color:black  
 finish:gold flash

packing:bag/tray

HOW TO ORDER



HTE TECHNOLOGY CO.,LTD  
**HTE** 興田科技有限公司

CUSTOMER APPROVAL				P/N	HT200LSXX-2*X			UNIT	mm	SIZE	A4
				TITLE	2.00mm latch header straight type			GENERAL TOLERANCE		SCALE	3:1
REV.	DESCRIPTION	DATE	DRAWN	LILY	CHECKED	SANDY	0.=±0.30 0.0=±0.20 0.00=±0.15		SHEET	1/1	

A B C D E F G H I J K L