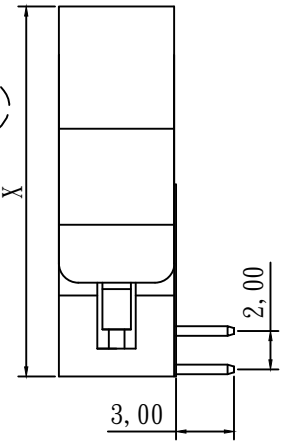
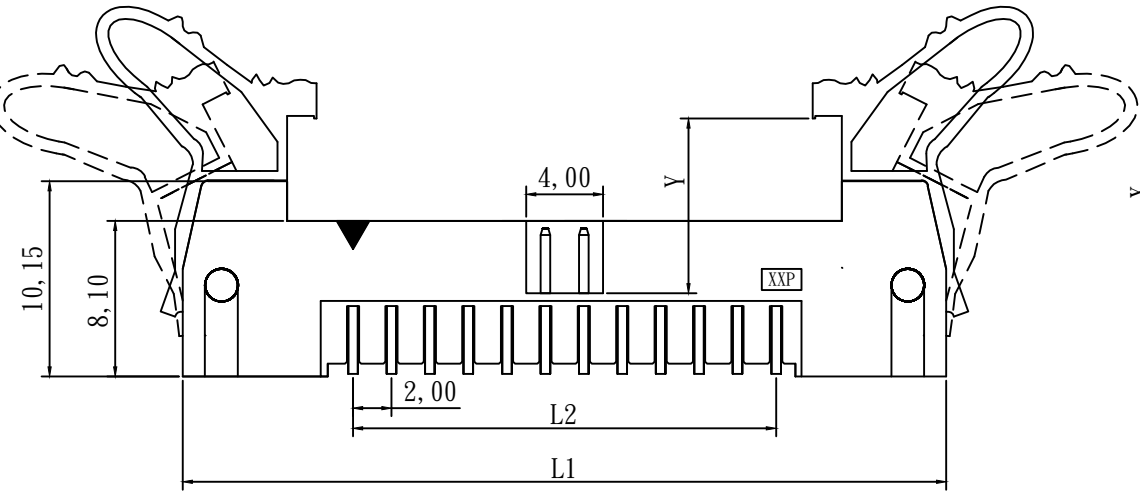
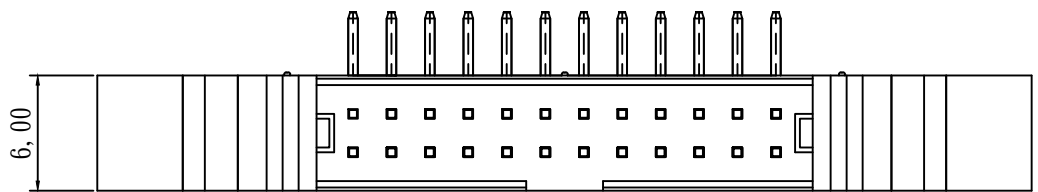


A B C D E F G H I J K L



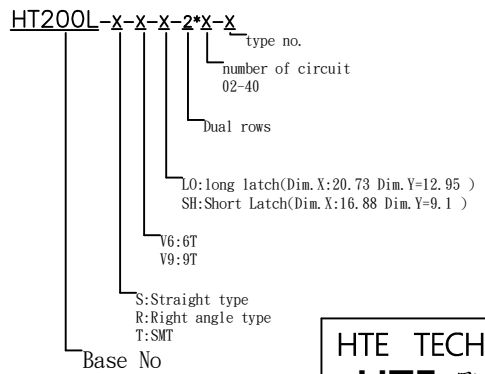
specifications

current rating:2amp
 voltage rating:200V ac max
 insulator resistance:3000 M ohms min.
 contact resistance:20 m ohms max.
 dielectric withstanding:500v ac for one minute
 operating temperature:-40°c--+105°c(ny6t/ny9t)
 max.processing temp:245±5°c for 3-5seconds(ny6t/ny9t)

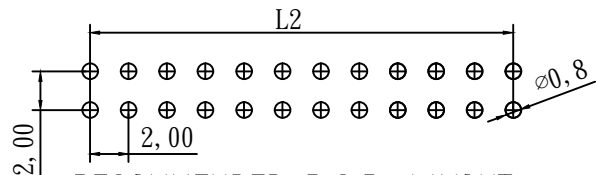
contact material:brass
 insulator material:nylon6t nylon9t
 color:black
 finish:gold flash

packing:bag/tray

HOW TO ORDER



$L1 = 2.0 * (\text{No. of pin} / 2) + 15.7$
 $L2 = 2.0 * (\text{No. of pin} / 2 - 1)$



RECOMMENDED P.C.B. LAYOUT

HTE TECHNOLOGY CO.,LTD
HTE 興田科技有限公司

CUSTOMER APPROVAL					P/N	HT200LRXX-2*X			UNIT	mm	SIZE	A4
					TITLE	2.00mm latch header right angle type			GENERAL TOLERANCE 0.=±0.30 0.0=±0.20 0.00=±0.15		SCALE	3:1
REV.	DESCRIPTION	DATE	DRAWN	LILY	CHECKED	SANDY						

A B C D E F G H I J K L