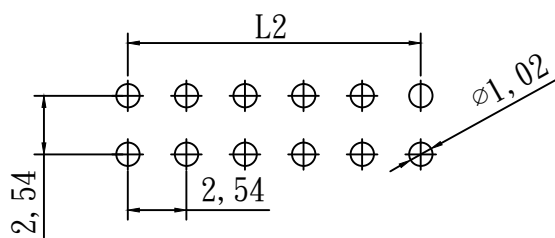
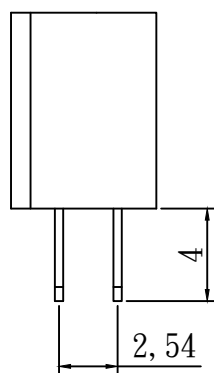
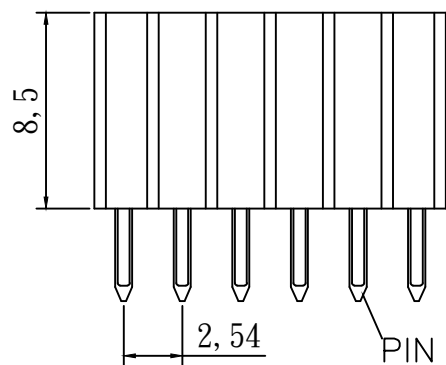


$$L1 = 2.54 * (\text{No. of pin} / 2)$$

$$L2 = 2.54 * (\text{No. of pin} / 2 - 1)$$



RECOMMENDED P.C.B. LAYOUT

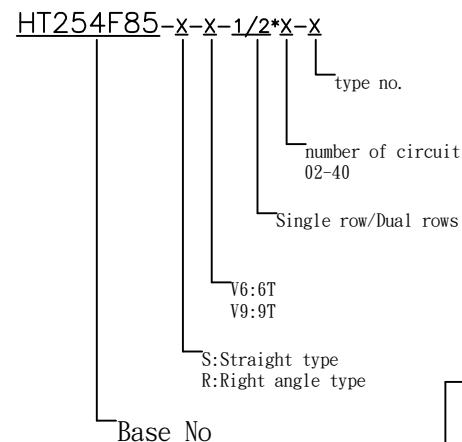
specifications

current rating: 3amp
 voltage rating: 250V ac max
 insulator resistance: 5000 M ohms min.
 contact resistance: 20 m ohms max.
 dielectric withstanding: 500v ac for one minute
 operating temperature: -40°C -- +105°C (ny6t/ny9t)
 max. processing temp: 245±5°C for 3-5 seconds (ny6t/ny9t)

contact material: brass
 insulator material: nylon6t nylon9t
 color: black
 finish: gold flash

packing: bag/tray

HOW TO ORDER



HTE TECHNOLOGY CO., LTD
HTE 興田科技有限公司

CUSTOMER APPROVAL

P/N HT254F85SX-2*X-B

UNIT mm SIZE A4

TITLE 2.54mm female header dual rows straight type

GENERAL TOLERANCE 0.=±0.30 SCALE 3:1

REV. DESCRIPTION DATE DRAWN LILY CHECKED SANDY

0.0=±0.20 SHEET 1/1
 0.00=±0.15