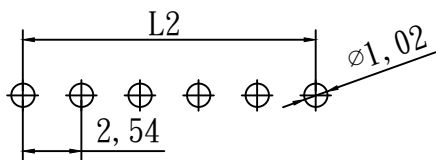
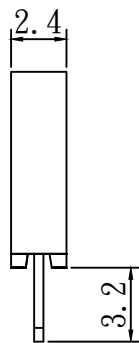
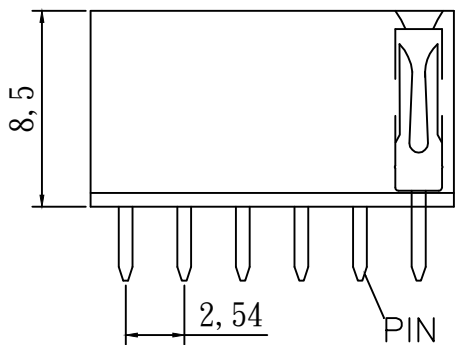


$L1 = 2.54 * (\text{No. of pin}) + 0.5$
 $L2 = 2.54 * (\text{No. of pin} - 1)$



RECOMMENDED P.C.B. LAYOUT

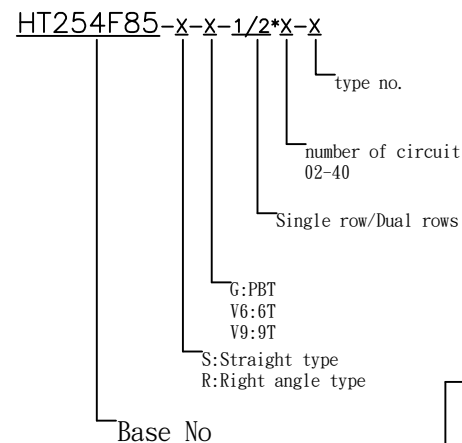
specifications

current rating: 3amp
 voltage rating: 250V ac max
 insulator resistance: 5000 M ohms min.
 contact resistance: 20 m ohms max.
 dielectric withstanding: 500v ac for one minute
 operating temperature: -25°C --- +85°C (pbt)
 -40°C --- +105°C (ny6t/ny9t)
 max. processing temp: 245±5°C for 3-5 seconds (ny6t/ny9t)

contact material: brass
 insulator material: pbt nylon6t nylon9t
 color: black
 finish: gold flash

packing: bag/tray

HOW TO ORDER



HTE TECHNOLOGY CO., LTD
HTE 興田科技有限公司

CUSTOMER APPROVAL					P/N	HT254F85SX-1*X			UNIT	mm	SIZE	A4
					TITLE	2.54mm female header single row straight type			GENERAL TOLERANCE		SCALE	3:1
		REV.	DESCRIPTION	DATE	DRAWN	LILY	CHECKED	SANDY	0.=±0.30 0.0=±0.20 0.00=±0.15		SHEET	1/1