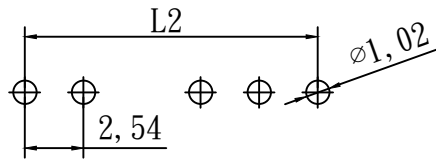
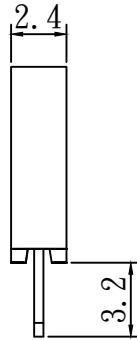
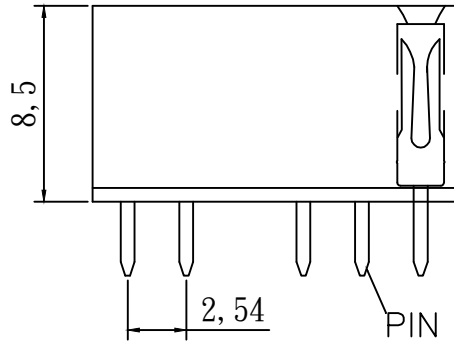


$L1 = 2.54 * (\text{No. of pin}) + 0.5$   
 $L2 = 2.54 * (\text{No. of pin} - 1)$



RECOMMENDED P.C.B. LAYOUT

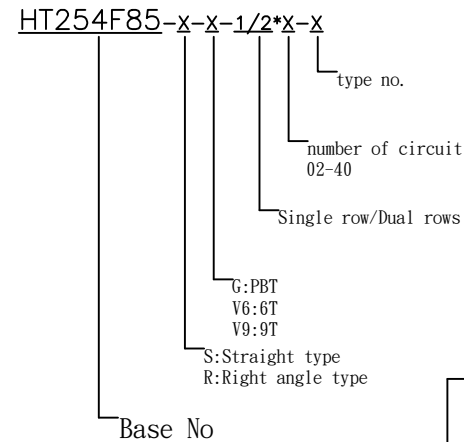
specifications

current rating:3amp  
 voltage rating:250V ac max  
 insulator resistance:5000 M ohms min.  
 contact resistance:20 m ohms max.  
 dielectric withstanding:500v ac for one minute  
 operating temperature:-25°C--+85°C(pbt)  
                                   -40°C--+105°C(ny6t/ny9t)  
 max.processing temp:245±5°C for 3-5seconds(ny6t/ny9t)

contact material:brass  
 insulator material:pbt nylon6t nylon9t  
 color:black  
 finish:gold flash

packing:bag/tray

HOW TO ORDER



**HTE TECHNOLOGY CO.,LTD**  
**HTE 興田科技有限公司**

CUSTOMER APPROVAL					P/N	HT254F85SX-1*X-K			UNIT	mm	SIZE	A4
					TITLE	2.54mm female header single row straight type			GENERAL TOLERANCE 0.=±0.30 0.0=±0.20 0.00=±0.15		SCALE	3:1
			REV.	DESCRIPTION	DATE	DRAWN	LILY	CHECKED			SANDY	SHEET