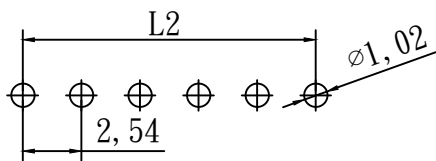
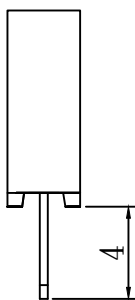
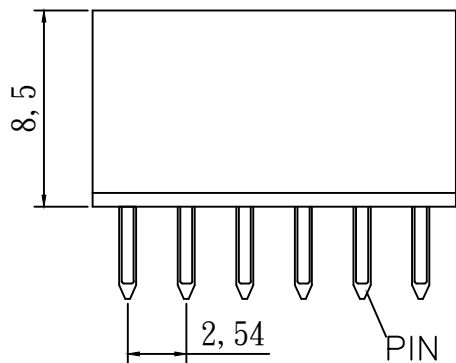


$$L1 = 2.54 * (\text{No. of pin}) + 0.5$$

$$L2 = 2.54 * (\text{No. of pin} - 1)$$



RECOMMENDED P.C.B. LAYOUT

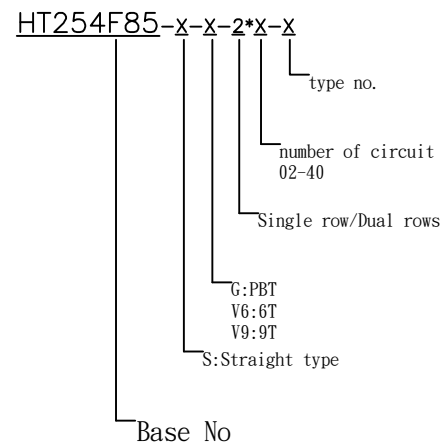
### specifications

current rating: 3amp  
 voltage rating: 250V ac max  
 insulator resistance: 5000 M ohms min.  
 contact resistance: 20 m ohms max.  
 dielectric withstanding: 500v ac for one minute  
 operating temperature: -25°C -- +85°C (pbt)  
 -40°C -- +105°C (ny6t/ny9t)  
 max. processing temp: 245±5°C for 3-5 seconds (ny6t/ny9t)

contact material: phosphor bronze  
 insulator material: pbt nylon6t nylon9t  
 color: black  
 finish: gold flash

packing: bag/tray

### HOW TO ORDER



HTE TECHNOLOGY CO., LTD  
**HTE** 興田科技有限公司

CUSTOMER APPROVAL

P/N HT254F85SX-1\*X-C

UNIT mm SIZE A4

TITLE 2.54mm female header  
 single row straight type

GENERAL TOLERANCE  
 0.=±0.30  
 0.0=±0.20  
 0.00=±0.15

REV. DESCRIPTION DATE DRAWN LILY CHECKED SANDY

SCALE 3:1  
 SHEET 1/1