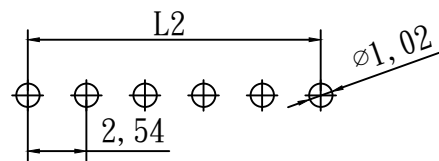
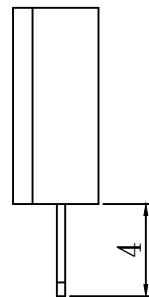
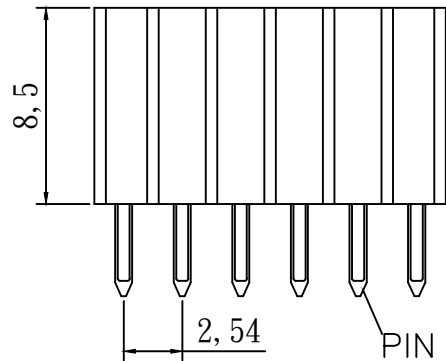


$L1 = 2.54 * (\text{No. of pin})$   
 $L2 = 2.54 * (\text{No. of pin} - 1)$



RECOMMENDED P.C.B. LAYOUT

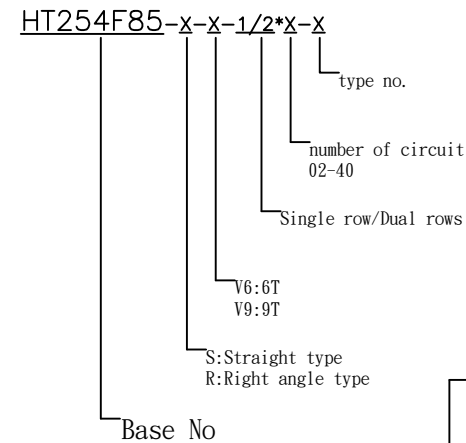
### specifications

current rating: 3amp  
 voltage rating: 250V ac max  
 insulator resistance: 5000 M ohms min.  
 contact resistance: 20 m ohms max.  
 dielectric withstanding: 500v ac for one minute  
 operating temperature:  $-40^{\circ}\text{C}$  --  $+105^{\circ}\text{C}$  (ny6t/ny9t)  
 max. processing temp:  $245 \pm 5^{\circ}\text{C}$  for 3-5 seconds (ny6t/ny9t)

contact material: brass  
 insulator material: nylon6t nylon9t  
 color: black  
 finish: gold flash

packing: bag/tray

### HOW TO ORDER



**HTE TECHNOLOGY CO., LTD**  
**HTE 興田科技有限公司**

CUSTOMER APPROVAL

P/N

HT254F85SX-1\*X-B

UNIT

mm

SIZE

A4

TITLE

2.54mm female header  
single row straight type

GENERAL TOLERANCE  
 $0. = \pm 0.30$   
 $0.0 = \pm 0.20$   
 $0.00 = \pm 0.15$

SCALE

3:1

REV.

DESCRIPTION

DATE

DRAWN

LILY

CHECKED

SANDY

SHEET

1/1