

RECOMMENDED P.C.B. LAYOUT

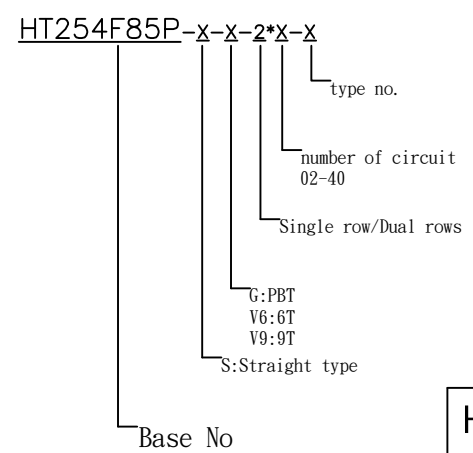
specifications

current rating: 3amp
 voltage rating: 250V ac max
 insulator resistance: 5000 M ohms min.
 contact resistance: 20 m ohms max.
 dielectric withstanding: 500v ac for one minute
 operating temperature: -25°C --- +85°C (pbt)
 -40°C --- +105°C (ny6t/ny9t)
 max. processing temp: 245±5°C for 3-5 seconds (ny6t/ny9t)

contact material: brass
 insulator material: pbt nylon6t nylon9t
 color: black
 finish: gold flash

packing: bag/tray

HOW TO ORDER



	H	D
1A	11.00	2.40

	H	D
1B	11.00	7.50
2B	13.50	5.00
3B	16.00	2.40

	H	D
1C	11.00	12.10
2C	13.50	9.60
3C	16.00	7.10
4C	18.50	4.60

HTE TECHNOLOGY CO., LTD
HTE 興田科技有限公司

CUSTOMER APPROVAL					P/N	HT254F85PSX-2*X			UNIT	mm	SIZE	A4
					TITLE	2.54mm female header dual rows elevated type			GENERAL TOLERANCE 0.=±0.30 0.0=±0.20 0.00=±0.15		SCALE	3:1
	REV.	DESCRIPTION	DATE	DRAWN	LILY	CHECKED	SANDY	SHEET			1/1	