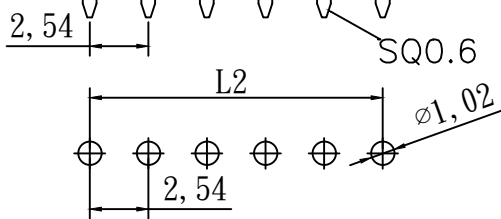
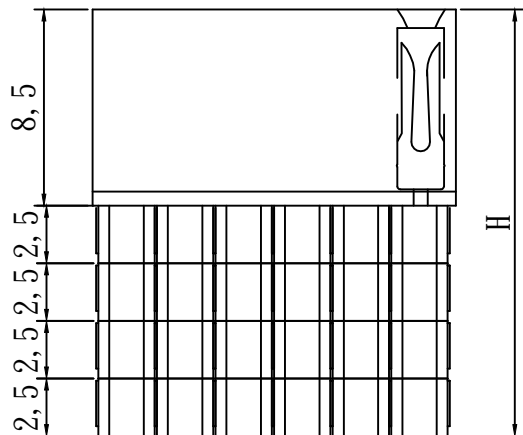
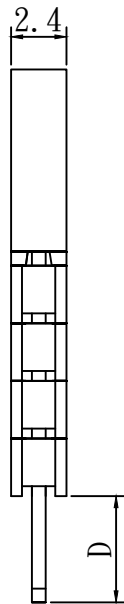


$$L1 = 2.54 * (\text{No. of pin}) + 0.5$$

$$L2 = 2.54 * (\text{No. of pin} - 1)$$



RECOMMENDED P.C.B. LAYOUT



specifications

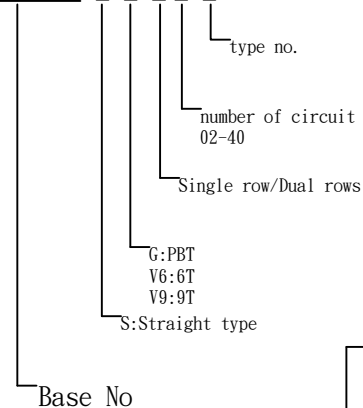
current rating: 3amp
 voltage rating: 250V ac max
 insulator resistance: 5000 M ohms min.
 contact resistance: 20 m ohms max.
 dielectric withstanding: 500v ac for one minute
 operating temperature: -25°C -- +85°C (pbt)
 -40°C -- +105°C (ny6t/ny9t)
 max. processing temp: 245±5°C for 3-5 seconds (ny6t/ny9t)

contact material: brass
 insulator material: pbt nylon6t nylon9t
 color: black
 finish: gold flash

packing: bag/tray

HOW TO ORDER

HT254F85P-x-x-2*x-x



	H	D
1A	11.00	2.40

	H	D
1B	11.00	7.50
2B	13.50	5.00
3B	16.00	2.40

	H	D
1C	11.00	12.10
2C	13.50	9.60
3C	16.00	7.10
4C	18.50	4.60

HTE TECHNOLOGY CO., LTD
 HTE 興田科技有限公司

CUSTOMER APPROVAL

P/N

HT254F85PSX-1*X

UNIT

mm

SIZE

A4

TITLE

2.54mm female header
 single row elevated type

GENERAL TOLERANCE
 0.=±0.30
 0.0=±0.20
 0.00=±0.15

SCALE

3:1

SHEET

1/1

REV.

DESCRIPTION

DATE

DRAWN

LILY

CHECKED

SANDY