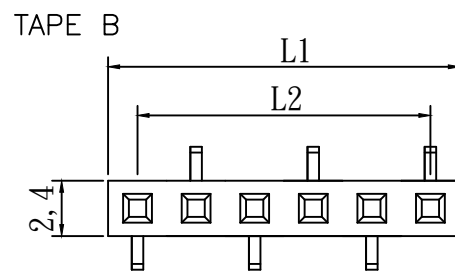


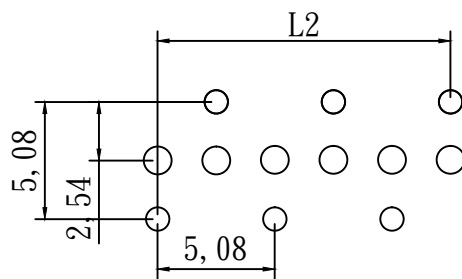
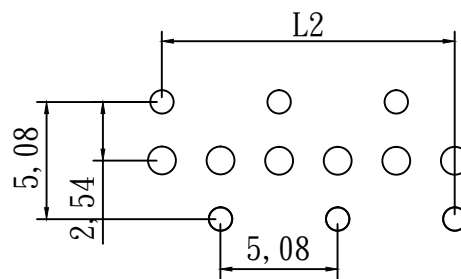
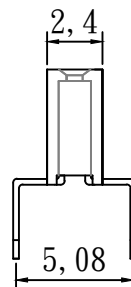
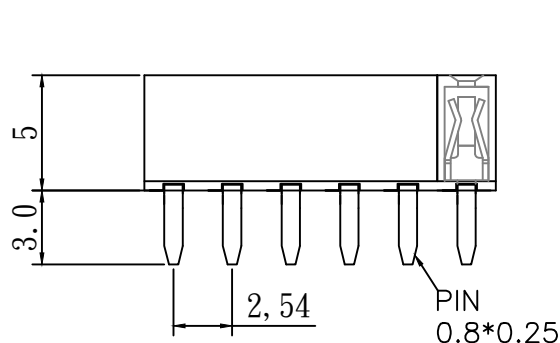
$$L1 = 2.54 * (\text{No. of pin})$$

$$L2 = 2.54 * (\text{No. of pin} - 1)$$



$$L1 = 2.54 * (\text{No. of pin})$$

$$L2 = 2.54 * (\text{No. of pin} - 1)$$



RECOMMENDED P.C.B. LAYOUT (TYPE A)

RECOMMENDED P.C.B. LAYOUT (TYPE B)

### specifications

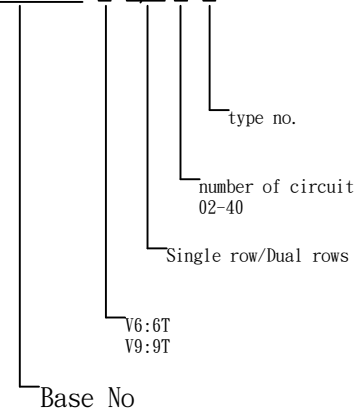
current rating: 3amp  
 voltage rating: 250V ac max  
 insulator resistance: 5000 M ohms min.  
 contact resistance: 20 m ohms max.  
 dielectric withstanding: 500v ac for one minute  
 operating temperature: -40°C -- +105°C (ny6t/ny9t)  
 max. processing temp: 245±5°C for 3-5 seconds (ny6t/ny9t)

contact material: phosphor bronze  
 insulator material: nylon6t nylon9t  
 color: black  
 finish: gold flash

packing: tube

### HOW TO ORDER

HT254F50-x-1/2\*x-x



HTE TECHNOLOGY CO., LTD  
**HTE** 興田科技有限公司

CUSTOMER APPROVAL

P/N

HT254F50X-1\*X-508

UNIT

mm

SIZE

A4

TITLE

2.54mm Female Header single row  
 dual entry type508

GENERAL TOLERANCE  
 0.=±0.30  
 0.0=±0.20  
 0.00=±0.15

SCALE

3:1

REV.

DESCRIPTION

DATE

DRAWN

LILY

CHECKED

SANDY

SHEET

1/1