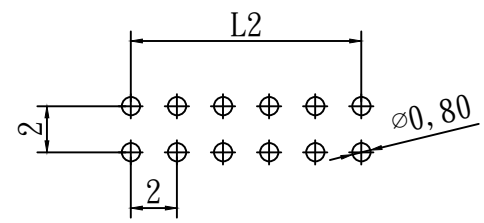
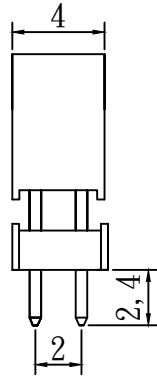
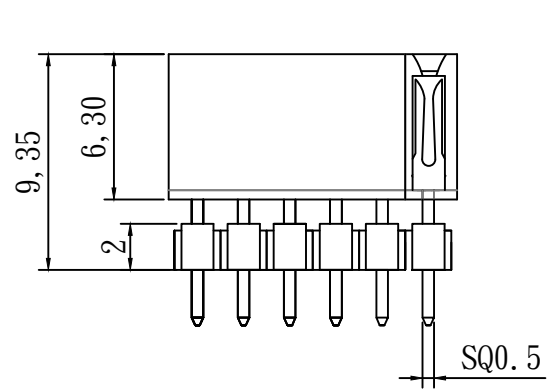


$$L1 = 2.0 * (\text{No. of pin} / 2) + 0.5$$

$$L2 = 2.0 * (\text{No. of pin} / 2 - 1)$$



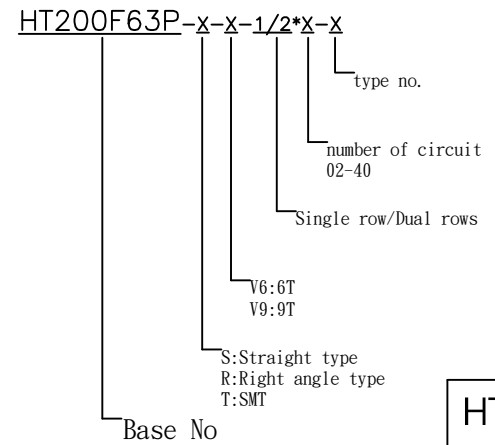
specifications

current rating: 2amp
 voltage rating: 200V ac max
 insulator resistance: 3000 M ohms min.
 contact resistance: 20 m ohms max.
 dielectric withstanding: 500v ac for one minute
 operating temperature: -25°C -- +85°C (pbt)
 -40°C -- +105°C (ny6t/ny9t)
 max. processing temp: 245±5°C for 3-5 seconds (ny6t/ny9t)

contact material: brass
 insulator material: pbt nylon6t nylon9t
 color: black
 finish: gold flash

packing: bag/tray

HOW TO ORDER



HTE TECHNOLOGY CO., LTD
HTE 興田科技有限公司

CUSTOMER APPROVAL						P/N	HT200F63PSX-2*X			UNIT	mm	SIZE	A4
						TITLE	2.00mm Female Header, dual rows elevated Type			GENERAL TOLERANCE		SCALE	3:1
				REV.	DESCRIPTION	DATE	DRAWN	LILY	CHECKED	SANDY	SHEET		1/1