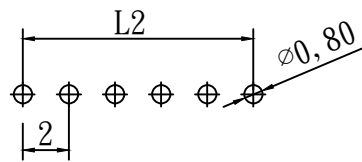
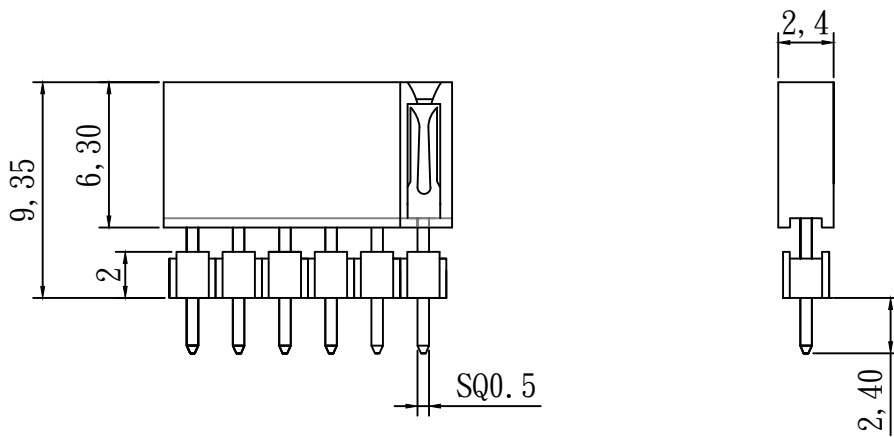


$$L1 = 2.0 * (\text{No. of pin}) + 0.5$$

$$L2 = 2.0 * (\text{No. of pin} - 1)$$



RECOMMENDED P.C.B. LAYOUT

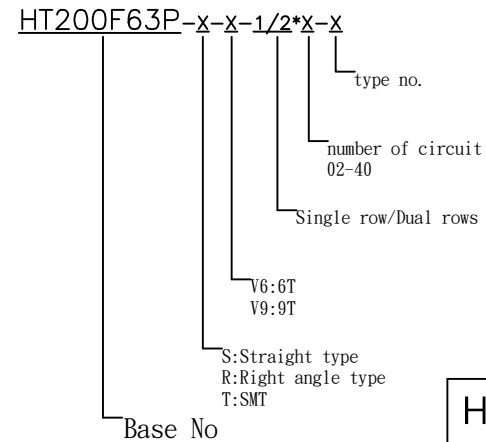
### specifications

current rating: 2amp  
 voltage rating: 200V ac max  
 insulator resistance: 3000 M ohms min.  
 contact resistance: 20 m ohms max.  
 dielectric withstanding: 500v ac for one minute  
 operating temperature: -25°C -- +85°C (pbt)  
 -40°C -- +105°C (ny6t/ny9t)  
 max. processing temp: 245±5°C for 3-5 seconds (ny6t/ny9t)

contact material: brass  
 insulator material: pbt nylon6t nylon9t  
 color: black  
 finish: gold flash

packing: bag/tray

### HOW TO ORDER



HTE TECHNOLOGY CO., LTD  
**HTE** 興田科技有限公司

CUSTOMER APPROVAL

P/N

HT200F63PSX-1\*X

UNIT

mm

SIZE

A4

TITLE

2.00mm Female Header,  
single row elevated Type

GENERAL TOLERANCE  
 0.=±0.30  
 0.0=±0.20  
 0.00=±0.15

SCALE

3:1

REV.

DESCRIPTION

DATE

DRAWN

LILY

CHECKED

SANDY

SHEET

1/1