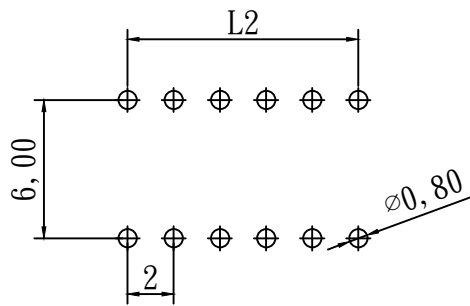
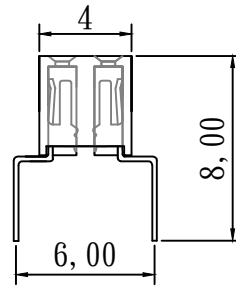
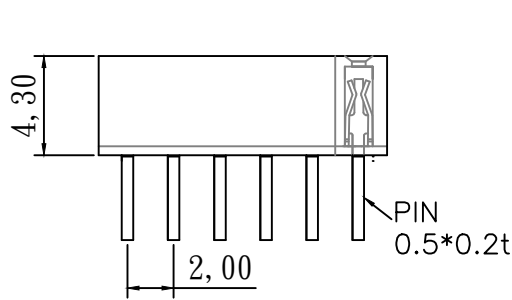


$$L1 = 2.0 * (\text{No. of pin} / 2) + 0.5$$

$$L2 = 2.0 * (\text{No. of pin} / 2 - 1)$$



RECOMMENDED P.C.B. LAYOUT

specifications

current rating: 2amp
 voltage rating: 200V ac max
 insulator resistance: 3000 M ohms min.
 contact resistance: 20 m ohms max.
 dielectric withstanding: 500v ac for one minute
 operating temperature: -40°C -- $+105^{\circ}\text{C}$ (ny6t/ny9t)
 max. processing temp: $245 \pm 5^{\circ}\text{C}$ for 3-5 seconds (ny6t/ny9t)

contact material: phosphor bronze
 insulator material: nylon6t/nylon9t
 color: black
 finish: gold flash

packing: bag/tube/reel

HOW TO ORDER

HT200F43-x-x-1/2*x-x

Base No | V6:6T | V9:9T | S: Straight type | R: Right angle type | T: SMT | Single row/Dual rows | number of circuit 02-40 | type no.

HTE TECHNOLOGY CO., LTD
HTE 興田科技有限公司

CUSTOMER APPROVAL

P/N HT200F43X-2*X-6.0

UNIT mm SIZE A4

TITLE 2.0mm Female Header dual rows entry Type

GENERAL TOLERANCE 0.=±0.30 0.0=±0.20 0.00=±0.15 SCALE 3:1

REV. DESCRIPTION DATE DRAWN LILY CHECKED SANDY SHEET 1/1