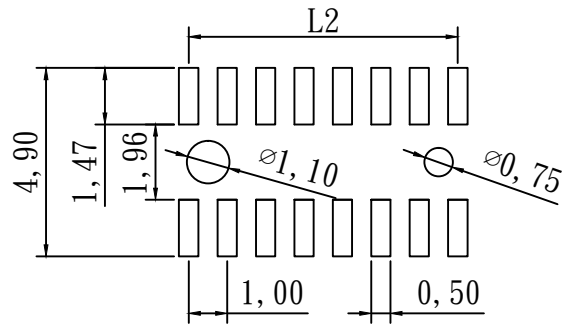
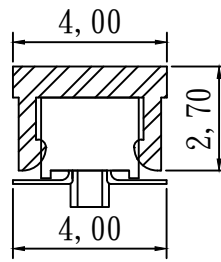
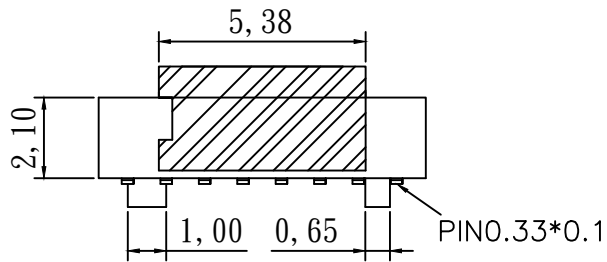


$$L1 = 1.0 * (\text{No. of pin} / 2) + 0.5$$

$$L2 = 1.0 * (\text{No. of pin} / 2 - 1)$$



RECOMMENDED P. C. B. LAYOUT

### specifications

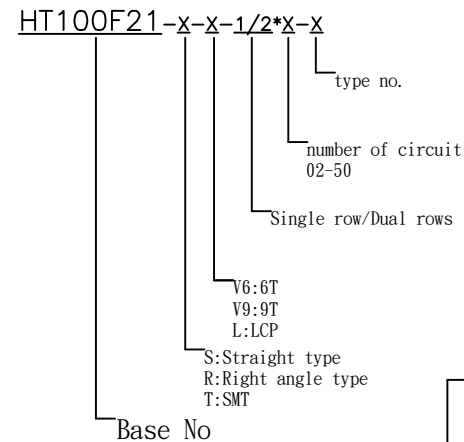
current&voltage rating :0.5A&12Vac max  
 insulator resistance:1000M $\Omega$  min.  
 contact resistance:20 m $\Omega$  max.  
 dielectric withstanding:ac 200v  
 ioperating temperature:-40 $^{\circ}$ c--+105 $^{\circ}$ c  
 max.processing temp:245 $\pm$ 5 $^{\circ}$ cfor3-5seconds

contact material:phosphor bronze  
 insulator material:nylon6T.nylon9T.lcp  
 finish:gold flash

packing:bag/tube/reel

PIN	L1	L2	PIN	L1	L2
			2*26	26.5	25
2*2	2.5	1	2*27	27.5	26
2*3	3.5	2	2*28	28.5	27
2*4	4.5	3	2*29	29.5	28
2*5	5.5	4	2*30	30.5	29
2*6	6.5	5	2*31	31.5	30
2*7	7.5	6	2*32	32.5	31
2*8	8.5	7	2*33	33.5	32
2*9	9.5	8	2*34	34.5	33
2*10	10.5	9	2*35	35.5	34
2*11	11.5	10	2*36	36.5	35
2*12	12.5	11	2*37	37.5	36
2*13	13.5	12	2*38	38.5	37
2*14	14.5	13	2*39	39.5	38
2*15	15.5	14	2*40	40.5	39
2*16	16.5	15	2*41	41.5	40
2*17	17.5	16	2*42	42.5	41
2*18	18.5	17	2*43	43.5	42
2*19	19.5	18	2*44	44.5	43
2*20	20.5	19	2*45	45.5	44
2*21	21.5	20	2*46	46.5	45
2*22	22.5	21	2*47	47.5	46
2*23	23.5	22	2*48	48.5	47
2*24	24.5	23	2*49	49.5	48
2*25	25.5	24	2*50	50.5	49

### HOW TO ORDER



HTE TECHNOLOGY CO.,LTD  
**HTE** 興田科技有限公司

CUSTOMER APPROVAL

P/N

HT100F21TX-2\*X-I-C

UNIT

mm

SIZE

A4

TITLE

1.0mm female header  
 dual rows SMT type

GENERAL TOLERANCE

0.= $\pm$ 0.30

0.0= $\pm$ 0.20

0.00= $\pm$ 0.15

SCALE

5:1

SHEET

1/1

REV.

DESCRIPTION

DATE

DRAWN

LILY

CHECKED

SANDY