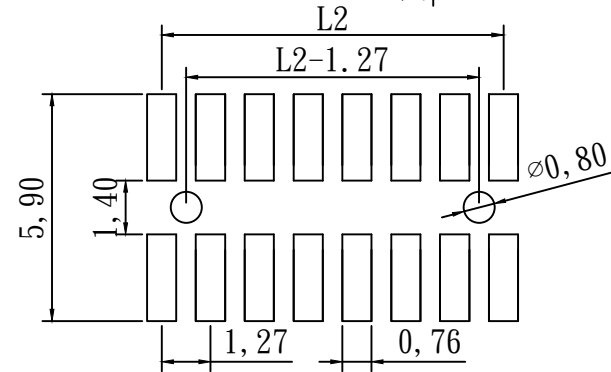
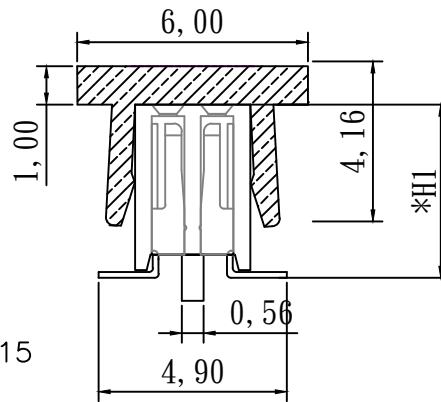
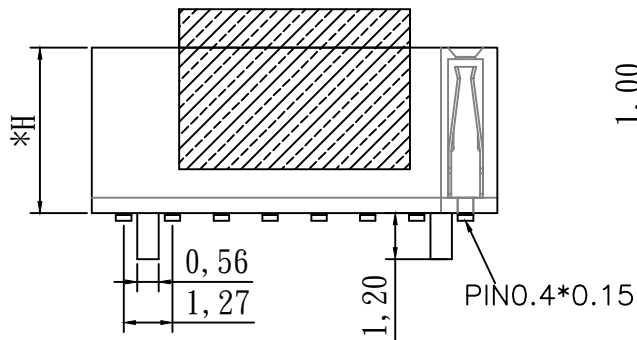


$$L1 = 1.27 * (\text{No. of pin} / 2) + 0.38$$

$$L2 = 1.27 * (\text{No. of pin} / 2 - 1)$$



RECOMMENDED P. C. B. LAYOUT

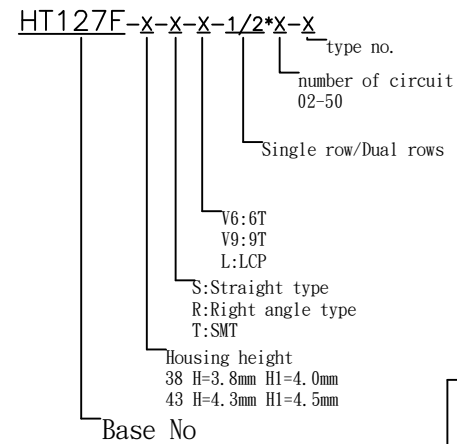
specifications

current & voltage rating : 1A & 12Vac max
 insulator resistance : 1000MΩ min.
 contact resistance : 20 mΩ max.
 dielectric withstanding : ac 500v
 operating temperature : -40°C -- +105°C
 max. processing temp : 245 ± 5°C for 3-5 seconds

contact material : phosphor bronze
 insulator material : nylon6T, nylon9T, lcp
 finish : gold flash

packing : bag / tube / reel

HOW TO ORDER



HTE TECHNOLOGY CO., LTD
HTE 興田科技有限公司

CUSTOMER APPROVAL

P/N

HT127EXTX-2*X-I-C

UNIT

mm

SIZE

A4

TITLE

1.27mm female header
 dual rows smt type

GENERAL TOLERANCE

0.=±0.30

0.0=±0.20

0.00=±0.15

SCALE

5:1

SHEET

1/1

REV.

DESCRIPTION

DATE

DRAWN

LILY

CHECKED

SANDY