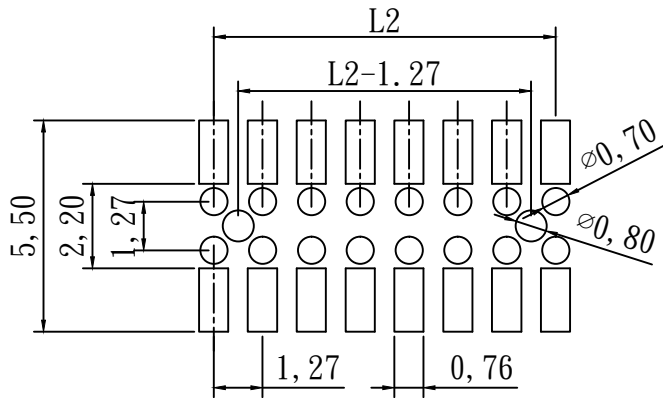
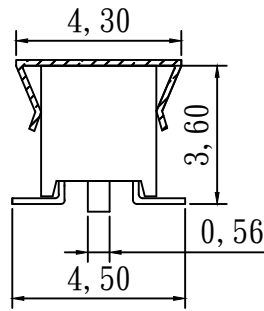
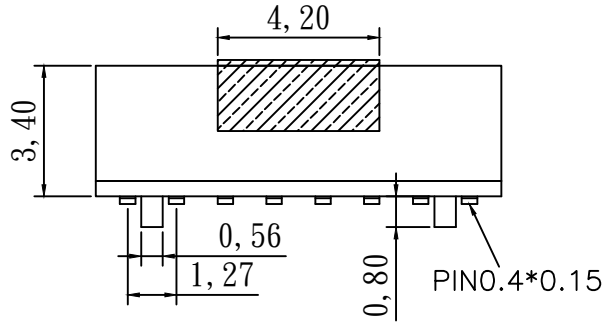


$$L1 = 1.27 * (\text{No. of pin} / 2) + 0.38$$

$$L2 = 1.27 * (\text{No. of pin} / 2 - 1)$$



RECOMMENDED P. C. B. LAYOUT

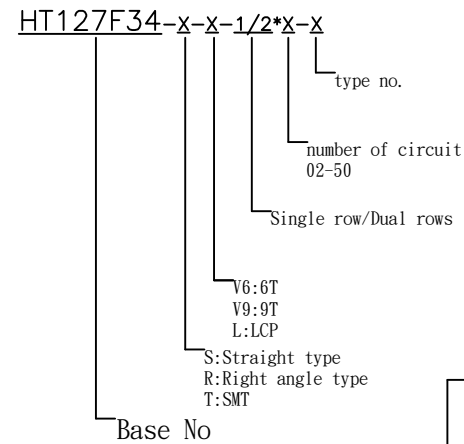
specifications

current & voltage rating : 1A & 12Vac max
 insulator resistance: 1000MΩ min.
 contact resistance: 20 mΩ max.
 dielectric withstanding: ac 500v
 operating temperature: -40°C -- +105°C
 max. processing temp: 245 ± 5°C for 3-5 seconds

contact material: phosphor bronze
 insulator material: nylon 6T, nylon 9T, lcp
 finish: gold flash

packing: bag / tube / reel

HOW TO ORDER



HTE TECHNOLOGY CO., LTD
HTE 興田科技有限公司

CUSTOMER APPROVAL					P/N	HT127F34TX-2*X-I-C			UNIT	mm	SIZE	A4
					TITLE	1.27mm female header dual rows smt type			GENERAL TOLERANCE		SCALE	5:1
			REV.	DESCRIPTION	DATE	DRAWN	LILY	CHECKED	SANDY	SHEET		1/1