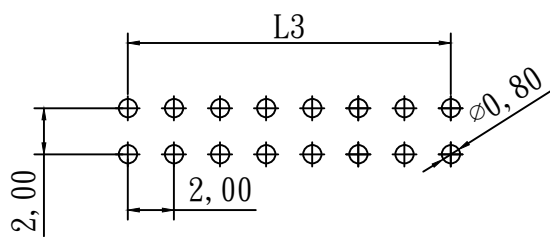
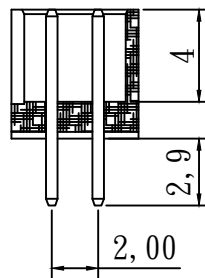
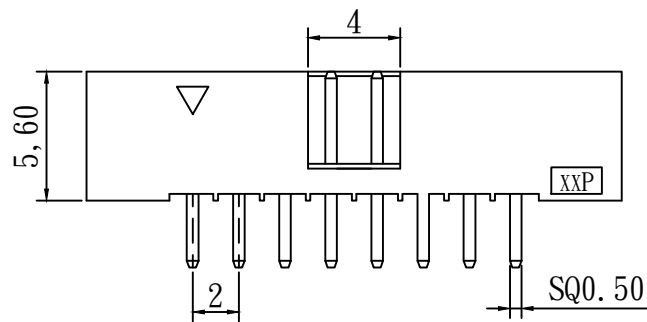


$$L1 = 2.0 * (\text{No. of pin} / 2) + 7.2$$

$$L2 = 2.0 * (\text{No. of pin} / 2) + 6.1$$

$$L3 = 2.0 * (\text{No. of pin} / 2 - 1)$$



RECOMMENDED P.C.B. LAYOUT

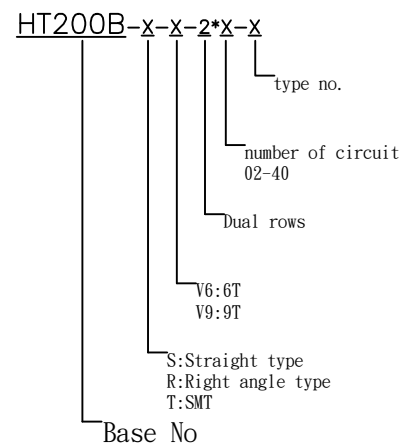
specifications

current rating: 2amp
 voltage rating: 200V ac max
 insulator resistance: 3000 M ohms min.
 contact resistance: 20 m ohms max.
 dielectric withstanding: 500v ac for one minute
 operating temperature: -40°C -- +105°C (ny6t/ny9t)
 max. processing temp: 245±5°C for 3-5 seconds (ny6t/ny9t)

contact material: brass
 insulator material: nylon6t nylon9t
 color: black
 finish: gold flash

packing: bag/tray

HOW TO ORDER



HTE TECHNOLOGY CO., LTD
 HTE 興田科技有限公司

CUSTOMER APPROVAL

P/N

HT200BSX-2*X

UNIT

mm

SIZE

A4

TITLE

2.00mm box header
 straight type

GENERAL TOLERANCE
 0.=±0.30
 0.0=±0.20
 0.00=±0.15

SCALE

3:1

REV.

DESCRIPTION

DATE

DRAWN

LILY

CHECKED

SANDY

SHEET

1/1