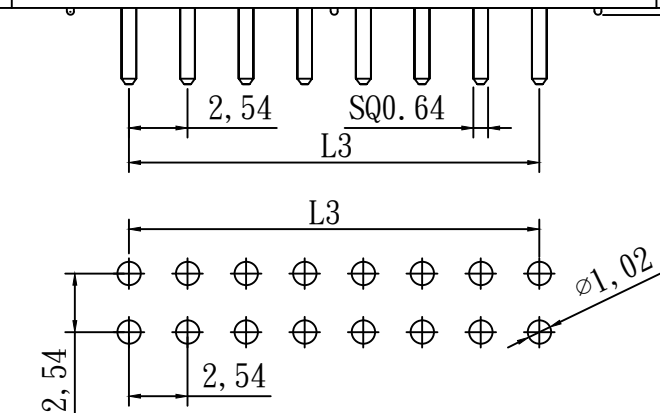
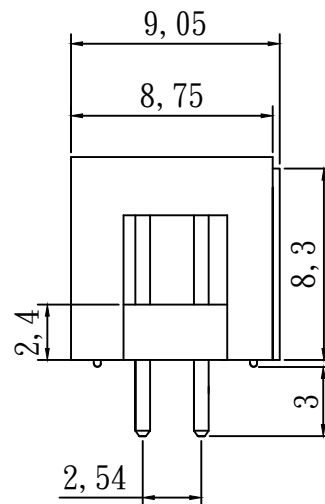
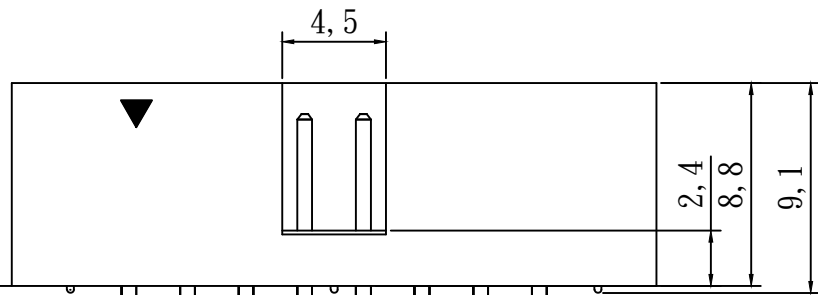


$$L1 = 2.54 * (\text{No. of pin} / 2) + 7.62$$

$$L2 = 2.54 * (\text{No. of pin} / 2) + 5.32$$

$$L3 = 2.54 * (\text{No. of pin} / 2 - 1)$$



RECOMMENDED P.C.B. LAYOUT

specifications

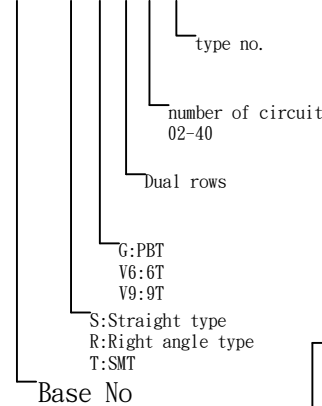
current rating:3amp
 voltage rating:250V ac max
 insulator resistance:5000 M ohms min.
 contact resistance:20 m ohms max.
 dielectric withstanding:500v ac for one minute
 operating temperature:-25°C--+85°C(pbt)
 -40°C--+105°C(ny6t/ny9t)
 max.processing temp:245±5°C for 3-5seconds(ny6t/ny9t)

contact material:brass
 insulator material:pbt nylon6t nylon9t
 color:black
 finish:gold flash

packing:bag/tray

HOW TO ORDER

HT254B-x-x-2*x-x



HTE TECHNOLOGY CO.,LTD
HTE 興田科技有限公司

CUSTOMER APPROVAL

P/N

HT254BSX-2*X

UNIT

mm

SIZE

A4

TITLE

2.54mm box header straight type

GENERAL TOLERANCE
 0.=±0.30
 0.0=±0.20
 0.00=±0.15

SCALE

3:1

SHEET

1/1

REV.

DESCRIPTION

DATE

DRAWN

LILY

CHECKED

SANDY