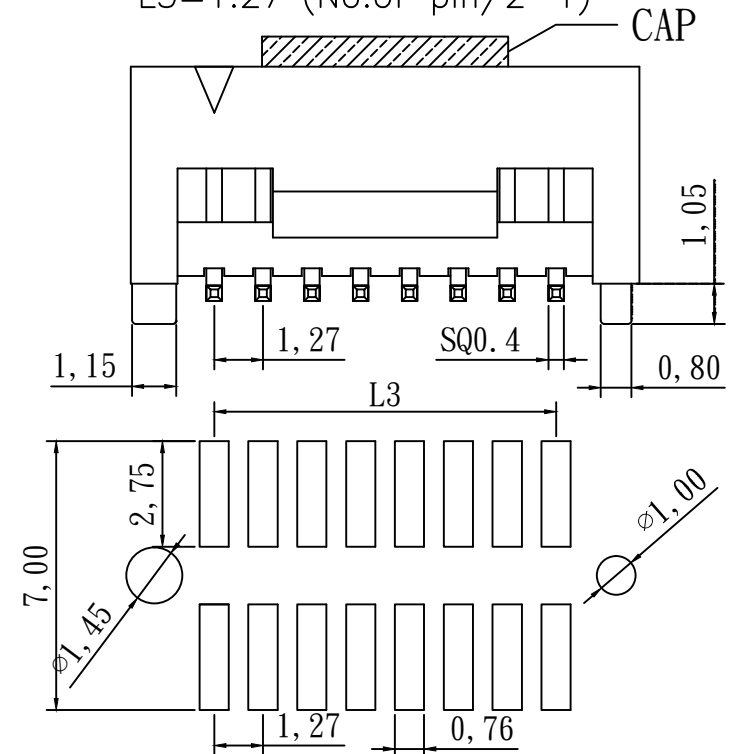


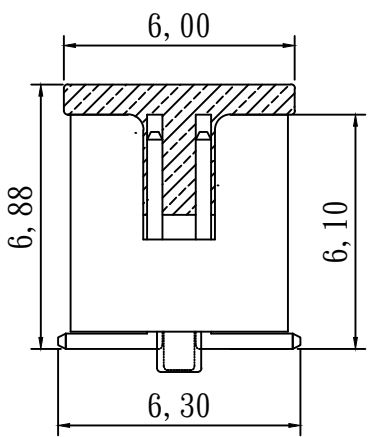
$$L1 = 1.27 * (\text{No. of pin} / 2) + 3.06$$

$$L2 = 1.27 * (\text{No. of pin} / 2) + 0.64$$

$$L3 = 1.27 * (\text{No. of pin} / 2 - 1)$$



RECOMMENDED P. C. B. LAYOUT



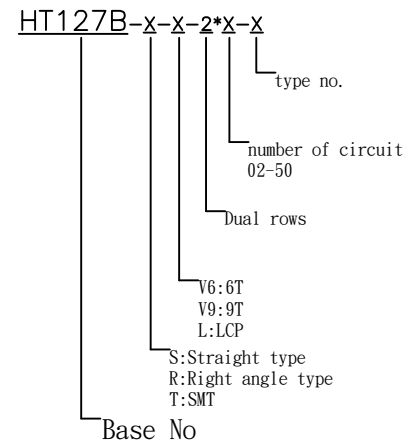
specifications

current&voltage rating :1A&12Vac max
 insulator resistance:1000MΩ min.
 contact resistance:20 mΩ max.
 dielectric withstanding:ac 500v
 ioperating temperature:-40°c--+105°c
 max.processing temp:245±5°cfor3-5seconds

contact material:phosphor bronze
 insulator material:nylon6T.nylon9T.lcp
 finish:gold flash

packing:bag/tube/reel

HOW TO ORDER



HTE TECHNOLOGY CO.,LTD
HTE 興田科技有限公司

CUSTOMER APPROVAL

P/N HT127BTX-2*X-2-1

UNIT mm SIZE A4

TITLE 1.27mm box header SMT type

GENERAL TOLERANCE 0.=±0.30 SCALE 5:1

REV. DESCRIPTION DATE DRAWN LILY CHECKED SANDY

SHEET 1/1