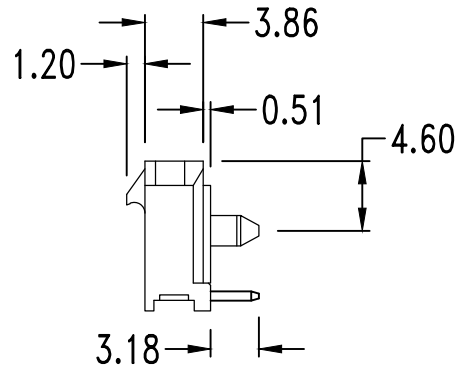
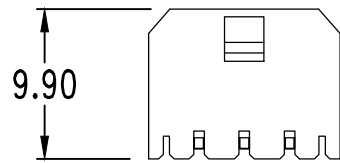


$L1 = 3.0 * (\text{NO. OF PIN}) + 3.65$
 $L2 = 3.0 * (\text{NO. OF PIN} - 1)$



specifications
 current rating:

Wire size	#20	#22	#24	#26	#28	#30
Ampere	5A	5A	4A	3A	2A	1A

voltage rating:250v
 contact resistance:10mΩ max
 dielectric withstanding:ac 1500v/minute

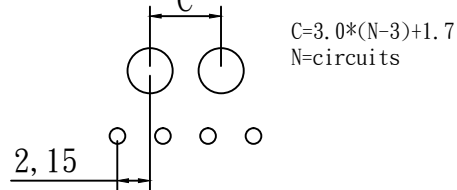
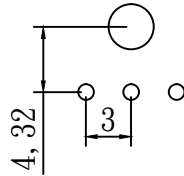
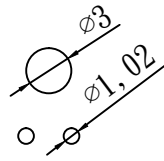
mates with :HT3002HM-X housing
 insulator material:LCP
 contact material:BRASS
 color:black
 finish:120u"tin plated

packing:bag/tray

2 circuits

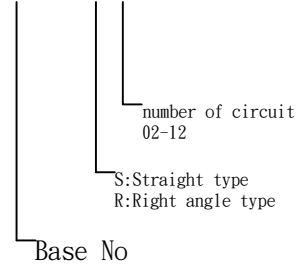
3 circuits

4 ~ 12 circuits



HOW TO ORDER

HT3002W-x-x



RECOMMENDED P.C.B. LAYOUT

HTE TECHNOLOGY CO.,LTD
HTE 興田科技有限公司

CUSTOMER APPROVAL

P/N

HT3002WR-X

UNIT mm

SIZE A4

TITLE

3.0mm single row
 right angle type

GENERAL TOLERANCE
 0.=±0.25
 0.0=±0.15
 0.00=±0.05

SCALE 2:1

REV.

DESCRIPTION

DATE

DRAWN

LILY

CHECKED

SANDY

SHEET 1/1